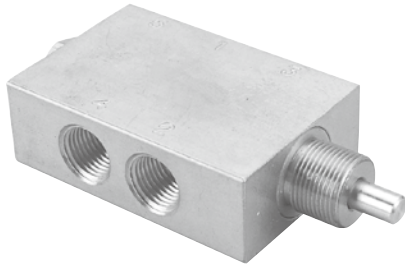


MVHF-5P

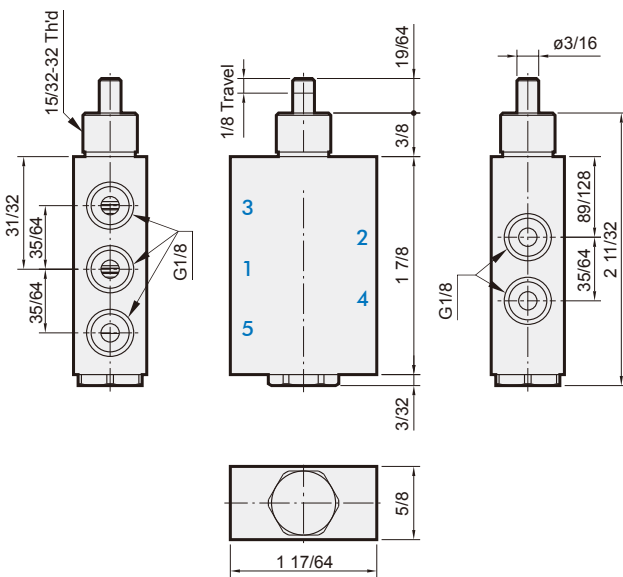
HAND VALVE



Specification

Model	MVHF-5P
Type	4-way spool valve plunger actuated spring return fully ported
Medium	Air, water, oil
Stem travel	1/8"
Input pressure	Vacum to 150 psig max.
Effective orifice	8.6 mm ²
Force for full stem travel	4 1/2 lb nominal
Temperature range	32°F~230°F
Ports	Input: G1/8 * Output: G1/8 * Exhaust: G1/8 *
Mounting	15/32-32 male thread nuts and lock washers furnished
Weight	171 g

* Port thread NPT. are also available.



MVHF-AP*

MINIATURE PILOT ACTUATOR
3/8" BORE



Mindman



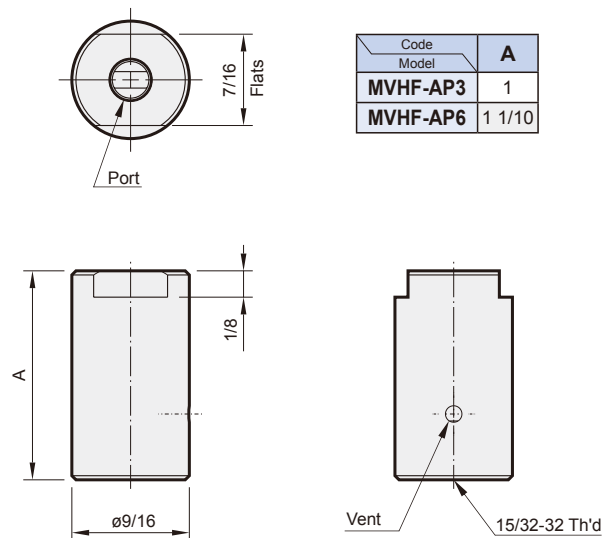
Specification

Model	MVHF-AP3, MVHF-AP6A
Type	Single action, spring return miniature air pilot actuator.
Input pressure	150 psig max
Construction	Body: aluminum alloy
	Springs: stainless steel
	Seals: buna N rubber
	Piston: aluminum
Temperature range	32°F~230°F
Force factor	.1
Ports	MVHF-AP3 → 10-32
	MVHF-AP6A → G1/8 *
Mounting	15/32-32 female thread to mount to miniature valves and components
Weight	22 g

Minimum pressure required MPa (PSIG)

MVHF-3P-NC	0.21 (30)	MVHF-3P-NO	0.21 (30)
MVHF-5P	0.29 (41)		

* Port thread NPT. are also available.



Code	A
MVHF-AP3	1
MVHF-AP6	1 1/10