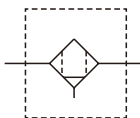


MAF302D / M series

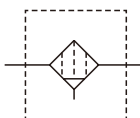
AIR UNIT (MIST / MICROMIST FILTER)



Symbol



D: 0.3µm



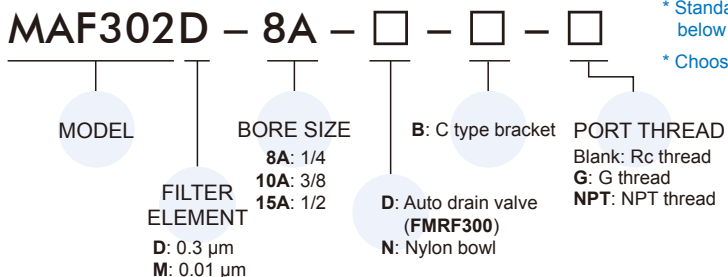
M: 0.01µm

- MA302D is designed for removal of foreign matter as well as oil mist (Element: 0.3µm)
- MA302M is designed for removal of foreign matter as well as oil mist (Element: 0.01µm)

Specification

Model	MAF302D/M		
Bore No.	8A	10A	15A
Port size	1/4	3/8	1/2
Medium	Air		
Operating pressure range (*)	0.05~1 MPa		
Proof pressure	1.5 MPa		
Ambient temperature	-5~+60°C (No freezing)		
Filter element	0.3 µm, 0.01 µm		
Drain capacity	35 cm ³		
Weight	365 g		

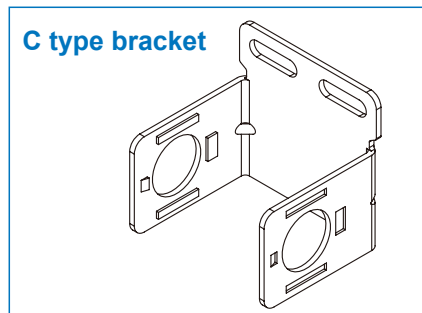
Order example



* Standard unit contains semi-auto-drain function when operating pressure below 0.05 MPa.

* Choose auto-drain FMRF300, the pressure range is 0.15 ~ 1 MPa.

Option accessories



MAF302D/M-D*

Auto drain valve

