

Air gap sensors SOPA



Air gap sensors SOPA

Product range overview

FESTO

Key features

General

Lightweight, compact and highly precise, this pneumatic solution offers impressive scope for integration: SOPA features a control module, compressed air regulation, measurement air switch-off and air jet function as well as up to four measuring modules. All in all, an attractively priced solution for low tolerances.

Precise

The air gap sensor SOPA senses exactly in the μm range whether the workpiece is lying flat or resting against other workpieces before clamping and whether the machining tool is exactly aligned on the spindle. Two different distance values can be sensed with one measuring module. The solution for two-stage workpiece machining with different surface finishes.

Easy to use

Lightweight, compact and simple into the bargain: thanks to parameterisation via teach-in or numerical setting using three buttons. Simple assembly and commissioning thanks to the inclusion of virtually unregulated compressed air and an integrated air jet function that needs no additional peripheral devices.

Reliable and flexible

The multi-coloured LCD display with clear operating status indication ensures maximum reliability, while selectable monitoring points (1 to 4) and further functions make the application extremely flexible.

Individual sensor module

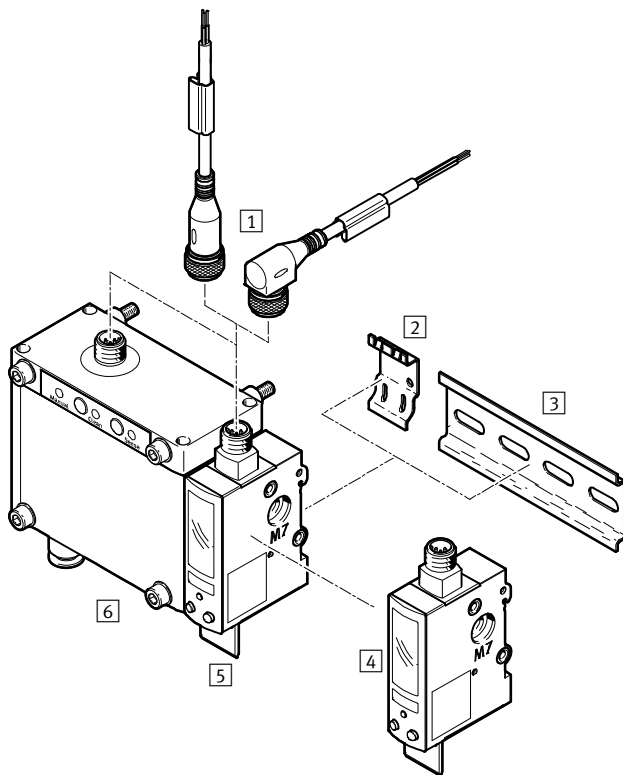


- Sensing range 20 ... 200 μm
- Switch outputs 2x PNP or 2x NPN
- Sensing of two distance values possible
- Integrated air jet function
- Two-colour LCD display
- 2 distance thresholds, for teach-in

Air gap sensors SOPA

Peripherals overview

Peripherals overview





Accessories

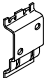
1	Connecting cable for switch output
2	Adapter plate SXE3-W (2 included in scope of delivery with SOPA-...-W-...)
3	Mounting rail to DIN EN 60715
4	Sensor module SOPA-M1-...
5	Inscription label holder SXE3 (included in scope of delivery)
6	Control module with one sensor module SOPA-CM1-...

Ordering data – Connecting cables M12x1

Technical data → Internet: nebu

	Number of wires	Cable length [m]	Part No.	Type
Straight socket				
	4	2.5	550326	NEBU-M12G5-K-2.5-LE4
		5	541328	NEBU-M12G5-K-5-LE4
Angled socket				
	4	2.5	550325	NEBU-M12W5-K-2.5-LE4
		5	541329	NEBU-M12W5-K-5-LE4

Ordering data – Adapter plate

	Part No.	Type
	540214	SXE3-W

Air gap sensors SOPA

Type codes

SOPA - CM1 H - R1 - H Q6 - 2P - M12 - E1

Function

SOPA	Air gap sensor for contact and distance monitoring via LCD display
------	--

Modules

CM1	Control module with one sensor module
CM2	Control module with two sensor modules, pneumatically interlinked
CM3	Control module with three sensor modules, pneumatically interlinked
CM4	Control module with four sensor modules, pneumatically interlinked
M1	Sensor module

Manual override for control module

H	With manual override
---	----------------------

Distance sensing range

R1	20 ... 200 µm
----	---------------

Type of mounting

H	H-rail mounting/through-hole
W	Additional wall mounting

Pneumatic connection

Q6	Push-in connector QS-6
----	------------------------

Electrical output

2P	2 switch outputs PNP
2N	2 switch outputs NPN

Electrical connection

M12	Plug M12x1, A-coded
-----	---------------------

Electrical accessories

E1	Straight socket, cable 2.5 m
E2	Straight socket, cable 5 m
E3	Angled socket, cable 2.5 m
E4	Angled socket, cable 5 m

Air gap sensors SOPA

Technical data

Technical data			
Type	SOPA-M1-...	SOPA-CM...-...-H...	SOPA-CM...-...-W...
Sensing range	[µm]	20 ... 200	
Repetition accuracy of switching point ¹⁾		± 2.5 µm: sensing range 30 µm to 150 µm ± 5µm: sensing range 20 µm to 200 µm	
Setting options	Teach-in via display and buttons		
Protection against manipulation	Electronic lock		
Type of display	Multi-coloured illuminated LCD		
Type of mounting	Alternatively: Via H-rail Via through-holes Via wall/surface bracket ²⁾		Alternatively: Via H-rail Via through-holes Via wall/surface bracket ³⁾
Sensing principle	Pneumatic		
Pneumatic connection	QS-6		
Operating voltage range	[V DC]	15 ... 30	22.8 ... 26.4
Max. output current	[mA]	100	
Electrical connection	Plug M12x1, 5-pin, round design to EN 60947-5-2		
Protection against short circuit	Pulsed		
Protection against polarity reversal	For all electrical connections		
Protection class	IP65 to IEC 60529		

1) Under constant operating conditions (temperature and supply pressure) and nominal measuring nozzle diameter (2 mm).

2) Adapter plate SXE3 must be ordered separately as an accessory → 3.

3) 2 adapter plates SXE3-W included in scope of delivery.

Operating and environmental conditions			
Type	SOPA-M1-...	SOPA-CM...-...	
Operating pressure	[bar]	–	4 ... 7
Supply pressure	[bar]	0.8 ... 1.6	–
Operating medium	Compressed air in accordance with ISO 8573-1:2010 [7:4:4]		
Note on operating/pilot medium	Operation with lubricated medium possible (in which case lubricated operation will always be required)		
Ambient temperature	[°C]	0 ... +50	
CE mark (see declaration of conformity)	In accordance with EU EMC directive		
	In accordance with EU RoHS directive		
KC mark	KC-EMV		
Certification	RCM trademark		
	c UL us - Recognized (OL)		

Weight						
	SOPA-M1-...	SOPA-CM1-...	SOPA-CM2...	SOPA-CM3...	SOPA-CM4...	
Product weight	[g]	60	510	570	630	690

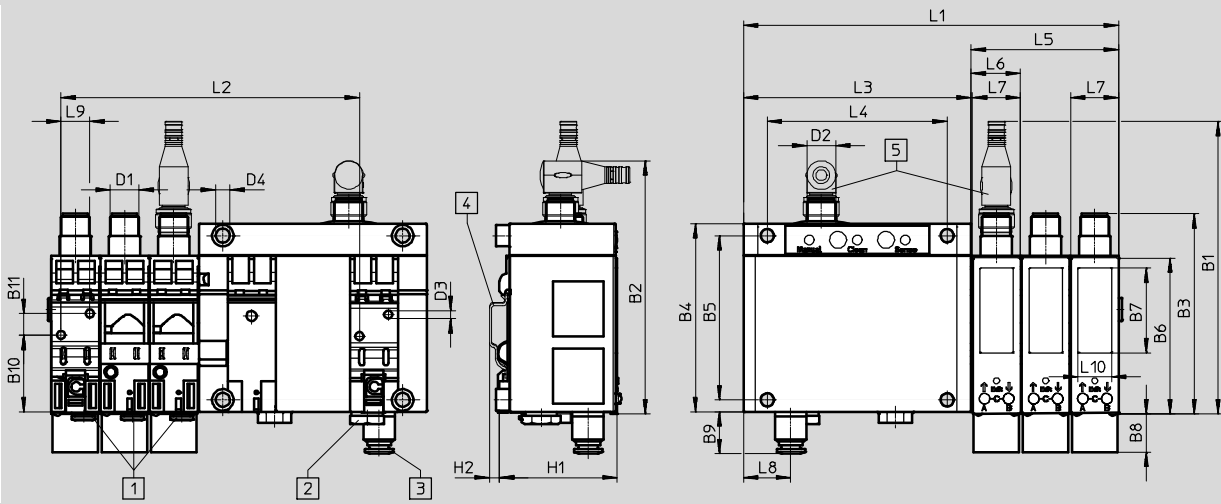
Materials	
Housing	Reinforced polyamide
Note on materials	Free of copper and PTFE
	Conforms to RoHS

Air gap sensors SOPA

Technical data

Dimensions

Download CAD data → www.festo.com



- 1 Supply port QS6 for measuring nozzle (output)
- 2 Connection option differential pressure regulator
- 3 Supply port QS6 for supply pressure
- 4 Surface bracket for wall mounting
- 5 Connection socket optional for plug

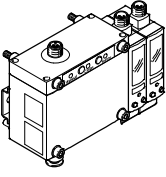

	B1	B2	B3	B4	B5	B6	B7	B8	B9	B10	B11	D1	D2	D3	D4
SOPA-CM1H...															
SOPA-CM2H...															
SOPA-CM3H...	122	106	82.9	78.5	68.5	65	35.4	16.8	17.4	32	9	M12x1	M12x1	3.4	5.5
SOPA-CM4H...															
SOPA-...															

	H1	H2	L1	L2	L3	L4	L5	L6	L7	L8	L9	L10
SOPA-CM1H...			115.5	83.5								
SOPA-CM2H...			136	104								
SOPA-CM3H...	49	4.2	156.5	124.5	95	75	20.5	20.5	20	19.8	12	14
SOPA-CM4H...			177	145			41					
SOPA-...			95+(n x 20.5)	83.5+(n-1) x 20.5			61.5					
							82					
							n x 20.5					

n = Number of sensor modules

Air gap sensors SOPA

Technical data

Ordering data						
Version	Type of mounting	Number of sensor modules	Switch output PNP		Switch output NPN	
			Part No.	Type	Part No.	Type
Control module with sensor modules						
	Via H-rail	1	552130	SOPA-CM1H-R1-HQ6-2P-M12	552134	SOPA-CM1H-R1-HQ6-2N-M12
		2	552131	SOPA-CM2H-R1-HQ6-2P-M12	552135	SOPA-CM2H-R1-HQ6-2N-M12
		3	552132	SOPA-CM3H-R1-HQ6-2P-M12	552136	SOPA-CM3H-R1-HQ6-2N-M12
		4	552133	SOPA-CM4H-R1-HQ6-2P-M12	552137	SOPA-CM4H-R1-HQ6-2N-M12
	Via wall/surface bracket ¹⁾	1	552138	SOPA-CM1H-R1-WQ6-2P-M12	552142	SOPA-CM1H-R1-WQ6-2N-M12
		2	552139	SOPA-CM2H-R1-WQ6-2P-M12	552143	SOPA-CM2H-R1-WQ6-2N-M12
		3	552140	SOPA-CM3H-R1-WQ6-2P-M12	552144	SOPA-CM3H-R1-WQ6-2N-M12
		4	552141	SOPA-CM4H-R1-WQ6-2P-M12	552145	SOPA-CM4H-R1-WQ6-2N-M12
Individual sensor module						
	Via H-rail	1	552146	SOPA-M1-R1-HQ6-2P-M12	552147	SOPA-M1-R1-HQ6-2N-M12

1) 2 adapter plates SXE3-W included in scope of delivery.

Air gap sensors SOPA

Ordering data – Modular products



[M] Mandatory data		[O] Options		[M] Mandatory data		[O] Options	
Module No.	Function	Control module override	Distance sensing range	Pneumatic connection	Electrical connection	Electrical accessories	
549902	Modules	H	Type of mounting	Electrical output	M12	E1 E2 E3 E4	
	SOPA		CM1 CM2 CM3 CM4 M1	R1			
Ordering example							
549902	SOPA	- M1	- R1	- H	Q6	- 2P	- M12 + E3

Ordering table

		Condi-tions	Code	Enter code
[M]	Module No.		549 902	
	Function		Air gap sensor for contact and distance monitoring with LCD display	SOPA
	Modules		Control module with one sensor module	-CM1
			Control module with two sensor modules, pneumatically interlinked	-CM2
			Control module with three sensor modules, pneumatically interlinked	-CM3
			Control module with four sensor modules, pneumatically interlinked	-CM4
			Sensor module	-M1
[O]	Control module override		With manual override for control module	[1] H
[M]	Distance sensing range [µm]		20 ... 200	-R1
	Type of mounting		H-rail mounting/through-hole	-H
			Additional wall mounting	-W
	Pneumatic connection		Push-in connector 6 mm	Q6
	Electrical output		2 switch outputs PNP	-2P
			2 switch outputs NPN	-2N
	Electrical connection		Plug M12, A-coded	-M12
[O]	Electrical accessories		Straight socket, cable 2.5 m	+E1
			Straight socket, cable 5 m	+E2
			Angled socket, cable 2.5 m	+E3
			Angled socket, cable 5 m	+E4

[1] H Not with module M1 (sensor module)

Transfer order code

549902 SOPA - [] [] - R1 - [] Q6 - [] - M12 + []

Festo - Your Partner in Automation



1 Festo Inc.
5300 Explorer Drive
Mississauga, ON L4W 5G4
Canada

Festo Customer Interaction Center
Tel: 1 877 463 3786
Fax: 1 877 393 3786
Email: customer.service.ca@festo.com



2 Festo Pneumatic
Av. Ceylán 3,
Col. Tequesquináhuac
54020 Tlalneantla,
Estado de México

Multinational Contact Center
01 800 337 8669
ventas.mexico@festo.com



3 Festo Corporation
1377 Motor Parkway
Suite 310
Islandia, NY 11749

Festo Customer Interaction Center
1 800 993 3786
1 800 963 3786
customer.service.us@festo.com



4 Regional Service Center
7777 Columbia Road
Mason, OH 45040

Connect with us



www.festo.com/socialmedia



www.festo.com

Subject to change