

Fibre-optic units SOE4

FESTO



Fibre-optic units SOE4

Product overview

Product overview						
Version	Type	Type of display	Timer function	Switching output	Analogue output	→ Page/Internet
Fibre-optic unit	SOE4-FO-L	LED	–	PNP NPN	–	4
	SOE4-FO-D	LED display	1 ... 2000 ms	PNP NPN	–	4
	SOE4-FO-D	LED display	1 ... 2000 ms	PNP NPN	0 ... 10 V	4

- High precision fibre-optic units
- Switching frequencies up to 8000 Hz
- Working ranges up to 2000 mm
- Variants with LED display, switching and analogue outputs
- Setting via teach-in
- Comprehensive range of fibre-optic cables

SOE4-FO-L-... with LED



SOE4-FO-D-... with LED display

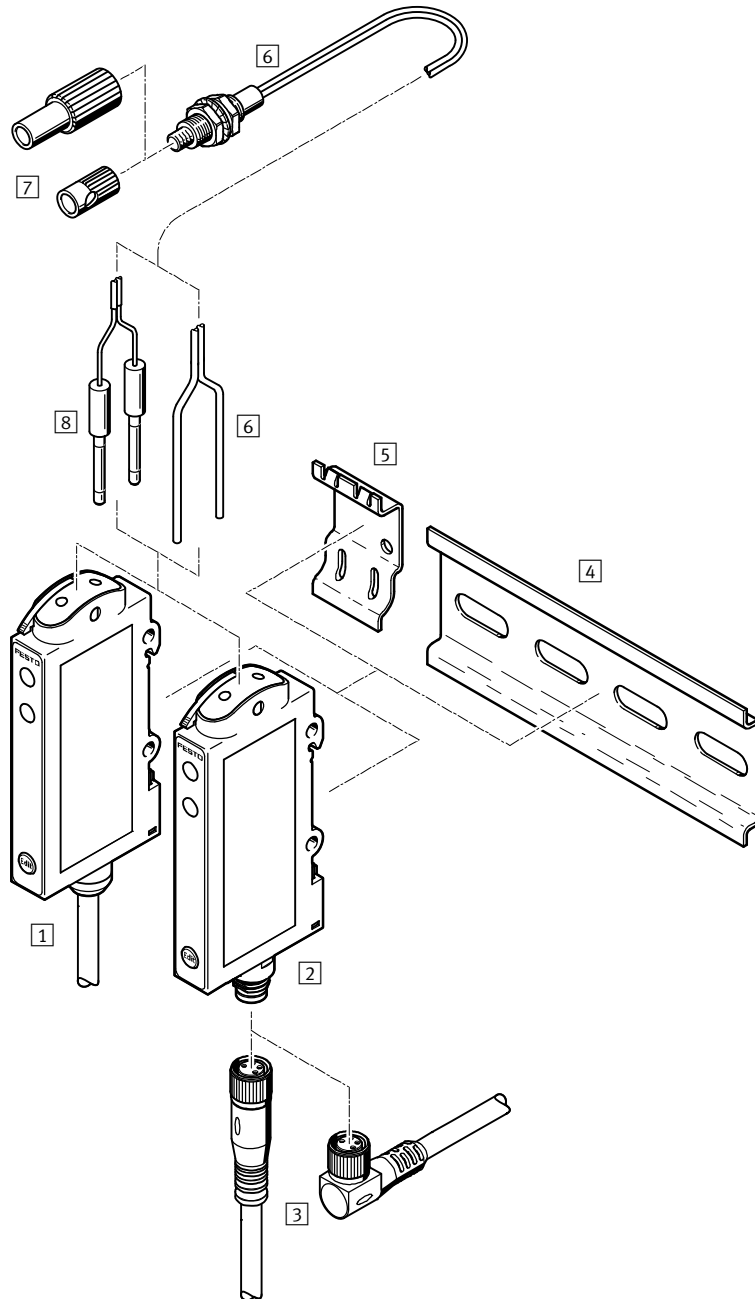


Product combination SOE4, SVE4, SDE3



Fibre-optic units SOE4

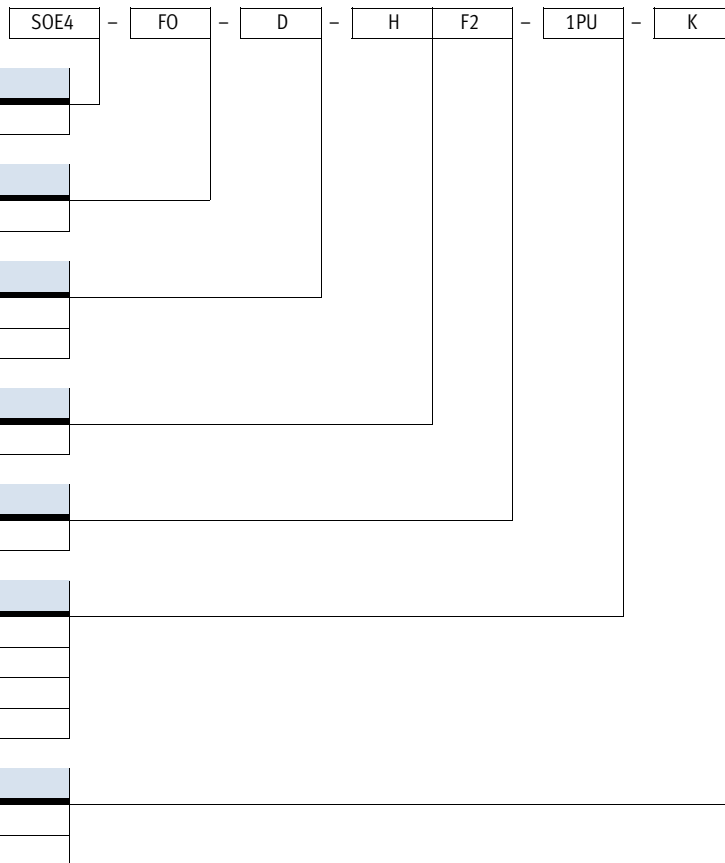
Peripherals overview



Accessories	Brief description	→ Page/Internet
1 Fibre-optic unit SOE4-...-K	With cable	4
2 Fibre-optic unit SOE4-...-M8	With plug M8x1, 4-pin	4
3 Connecting cable	With socket M8x1, 4-pin	9
4 Mounting rail to DIN EN 60715	For wall mounting of more than 2 fibre-optic units	-
5 Adapter plate SXE3-W	For wall mounting of max. 2 fibre-optic units	9
6 Fibre-optic cable	As diffuse sensor, through-beam sensor, fixed focus or series designs	6
7 Ancillary lens	For adapting the optical characteristics of fibre-optic cables	8
8 Adapter	For fibre-optic cables with O.D. 1.0 and 1.25 ... 1.3 mm	8
- Fibre-optic cutter	For fibre-optic cables made from plastic with O.D. 1.0 and 1.3 as well as 2.2 mm	8

Fibre-optic units SOE4

Type codes



Type	
SOE4	Fibre-optic unit

Input	
FO	Fibre-optic cable

Type of display	
L	LED
D	LED display

Type of mounting	
H	H-rail mounting or via through-holes

Fibre-optic cable connection	
F2	Fibre-optic cable Ø 2 mm

Electrical output	
1P	1 switching output PNP
1N	1 switching output NPN
1PU	1 switching output PNP and 0 ... 10 V analogue
1NU	1 switching output NPN and 0 ... 10 V analogue

Electrical connection	
K	Cable, 2 m long
M8	Plug M8x1

Fibre-optic units SOE4

Technical data

FESTO

General technical data		
Type of display	LED	LED display
Measuring variable	Position	
Measuring principle	Opto-electronic	
Working range	Depends on the measuring mode and fibre-optic cables, value tables → 6, 7	Depends on the measuring mode and fibre-optic cables, value tables for standard mode → 6, 7 Standard mode: 100% Fine mode: approx. 40% Fast mode: approx. 40% High-distance mode: approx. 190%
Mutual interference	–	Protected against interference with up to four devices mounted directly next to one another
Light type	Red	
Setting options	Teach-in Teach-in via electrical connection	
Mounting position	Any	
Type of mounting	Via through-holes Via H-rail	

Electrical data		
Type of display	LED	LED display
Max. switching frequency [Hz]	1500	Standard mode: 1000 Fine mode: 125 Fast mode: 8000 High-distance mode: 125
Timer function [ms]	–	1 ... 2000
Operating voltage range [V DC]	10 ... 30	
Voltage drop [V]	≤2.4	
Insulation voltage [V]	50	
Residual ripple [%]	10	
Max. output current [mA]	100	
Idle current [mA]	≤25	
Protection against short circuit	Pulsed	
Protection against polarity reversal	For operating voltage	
Protection class	IP64	

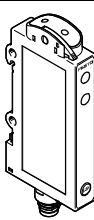
Fibre-optic units SOE4

Technical data

Operating and environmental conditions		
Ambient temperature	[°C]	-20 ... +60
Ambient temperature with flexible cable installation	[°C]	-5 ... +60
CE symbol (see declaration of conformity)	In accordance with EU EMC directive ¹⁾	
Conforms to	EN 60947-5-2	
Certification	C-UL-US listed (OL)	
	RCM trademark	
Corrosion resistance class	CRC ²⁾	4

- 1) For information about the applicability of the component see the manufacturer's EC declaration of conformity at: www.festo.com/sp → User documentation.
If the component is subject to restrictions on usage in residential, office or commercial environments or small businesses, further measures to reduce the emitted interference may be necessary.
- 2) Corrosion resistance class CRC 4 to Festo standard FN 940070
Particularly high corrosion stress. Outdoor exposure under extreme corrosive conditions. Parts exposed to aggressive media, for instance in the chemical or food industries. These applications may need to be supported by special tests (→ also FN 940082) using appropriate media.

Materials	
Housing	ABS
Cable sheath	TPE-U (PUR)
Note on materials	Free of copper and PTFE

Ordering data								
Version	Type of display	Switching output, switching function	Analogue output	Electrical connection	Part No.	Type		
	LED	PNP, switchable	-	Cable, 4-wire	552795	SOE4-FO-L-HF2-1P-K		
				Plug M8x1, 4-pin	552796	SOE4-FO-L-HF2-1P-M8		
		NPN, switchable	-	Cable, 4-wire	552797	SOE4-FO-L-HF2-1N-K		
				Plug M8x1, 4-pin	552798	SOE4-FO-L-HF2-1N-M8		
	LED display	PNP, switchable	-	-	Plug M8x1, 4-pin	552799	SOE4-FO-D-HF2-1P-M8	
					NPN, switchable	-	Plug M8x1, 4-pin	552800
		PNP, switchable	0 ... 10 V	-	-	Cable, 5-wire	552801	SOE4-FO-D-HF2-1PU-K
						NPN, switchable	0 ... 10 V	Cable, 5-wire

Fibre-optic units SOE4

Accessories

Technical data – Fibre-optic cable (diffuse sensor)					
Special feature of fibre-optic cable		Standard	Coaxial	Large working range	Flexible
Working range ¹⁾	[mm]	140	75	200	130
Min. object diameter ²⁾	[mm]	0.1	0.1	0.1	0.1
Min. bending radius	[mm]	25	15	40	2
Outer Ø	[mm]	2.2	1.25	2.2	1.3
Head size		M6	M4	M6	M4
Protection class		IP66			
Ambient temperature	[°C]	-55 ... +70			-40 ... +70
Material	Housing	High-alloy stainless steel	Nickel-plated brass	Nickel-plated brass	High-alloy stainless steel
	Fibre-optic cable	Polyethylene			

- 1) With SOE4-F0-L and SOE4-F0-D in standard mode
 2) An attempt was made to obtain a signal at 10% of the range using a copper wire. The smallest wire diameter that was still detected corresponds to the diameter of the smallest detectable object.

Technical data – Fibre-optic cable (diffuse sensor)						
Special feature of fibre-optic cable		High temperature	Precision		Series	Fixed focus
Working range ¹⁾	[mm]	150	12	65	130	2 ... 10
Min. object diameter ²⁾	[mm]	0.1	0.05	0.1	0.15	0.1
Min. bending radius	[mm]	25	10	15	25	25
Outer Ø	[mm]	2.2	1.0	1.25	2.2	2.2
Head size		M6	M3	M4	19x25x6 mm	13x19.6x5 mm
Protection class		IP66				
Ambient temperature	[°C]	-55 ... +115	-55 ... +70			
Material	Housing	High-alloy stainless steel			Nickel-plated brass	Acrylic butadiene styrene
	Fibre-optic cable	Polyethylene				

- 1) With SOE4-F0-L and SOE4-F0-D in standard mode
 2) An attempt was made to obtain a signal at 10% of the range using a copper wire. The smallest wire diameter that was still detected corresponds to the diameter of the smallest detectable object.

Ordering data – Fibre-optic cable (diffuse sensor)							
Measuring method	Special feature of fibre-optic cable	Outer Ø ¹⁾ [mm]	Sleeve length [mm]	Fibre-optic cable length			
				1 m		2 m	
				Part No.	Type	Part No.	Type
	Standard	2.2	–	552838	SOOC-DS-M6-1-R25	552836	SOOC-DS-M6-2-R25
			40	552839	SOOC-DS-M6-1-R25-S4	552837	SOOC-DS-M6-2-R25-S4
	Coaxial	1.25	–	–	–	552842	SOOC-DS-C-M4-2-R15
	Large working range	2.2	–	552841	SOOC-DS-H-M6-1-R40	552840	SOOC-DS-H-M6-2-R40
	Flexible	1.3	–	–	–	552843	SOOC-DS-F-M4-2-R2
	High temperature	2.2	–	–	–	552809	SOOC-DS-M6-2-R25-T1
	Precision	1.25	–	–	552804	SOOC-DS-P-M3-1-R10	552844
40				–	–	552803	SOOC-DS-P-M3-2-R10-S4
1		–	–	552807	SOOC-DS-P-M4-1-R15	552805	SOOC-DS-P-M4-2-R15
			40	552808	SOOC-DS-P-M4-1-R15-S4	552806	SOOC-DS-P-M4-2-R15-S4
	Series	2.2	–	–	–	552810	SOOC-DS-M-A11-2-R25
	Fixed focus	2.2	–	–	–	552811	SOOC-DS-Q-2-R25

- 1) The scope of delivery for fibre-optic cables with fibre-optic cable Ø < 2.2 mm includes an adapter SASA

Fibre-optic units SOE4

Accessories

Technical data – Fibre-optic cable (through-beam sensor)					
Special feature of fibre-optic cable		Standard	Large working range	Flexible	High temperature
Working range ¹⁾	[mm]	400	650	300	400
Min. object diameter ²⁾	[mm]	0.35	0.2	0.15	0.35
Min. bending radius	[mm]	25	40	2	25
Outer Ø	[mm]	2.2			
Head size	M4				
Protection class	IP66				
Ambient temperature	[°C]	-55 ... +70		-40 ... +70	-55 ... +115
Material	Housing	High-alloy stainless steel		Nickel-plated brass	High-alloy stainless steel
	Fibre-optic cable	Polyethylene			

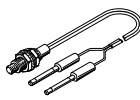
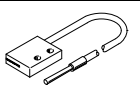
1) With SOE4-FO-L and SOE4-FO-D in standard mode

2) An attempt was made to obtain a signal at 10% of the range using a copper wire. The smallest wire diameter that was still detected corresponds to the diameter of the smallest detectable object.

Technical data – Fibre-optic cable (through-beam sensor)					
Special feature of fibre-optic cable		Precision		Series	Fork light barrier
Working range ¹⁾	[mm]	30	120	250	5
Min. object diameter ²⁾	[mm]	0.05	0.2	0.1	0.2
Min. bending radius	[mm]	10	15	25	10
Outer Ø	[mm]	1.0	2.2	2.2	1.25
Head size	M3		M4	10x10x5 mm	41x15x7 mm
Fork pit size	-				
Protection class	IP66				
Ambient temperature	[°C]	-55 ... +70			
Material	Housing	High-alloy stainless steel		Nickel-plated brass	Acrylic butadiene styrene
	Fibre-optic cable	Polyethylene			

1) With SOE4-FO-L and SOE4-FO-D in standard mode

2) An attempt was made to obtain a signal at 10% of the range using a copper wire. The smallest wire diameter that was still detected corresponds to the diameter of the smallest detectable object.

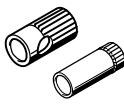
Ordering data – Fibre-optic cable (through-beam sensor)								
Measuring method	Special feature of fibre-optic cable	Outer Ø ¹⁾ [mm]	Sleeve length [mm]	Fibre-optic cable length				
				1 m		2 m		
				Part No.	Type	Part No.	Type	
Through-beam sensor								
	Standard	2.2	-	552814	SOOC-TB-M4-1-R25	552812	SOOC-TB-M4-2-R25	
			40	552815	SOOC-TB-M4-1-R25-S4	552813	SOOC-TB-M4-2-R25-S4	
	Large working range	2.2	-	552817	SOOC-TB-H-M4-1-R40	552816	SOOC-TB-H-M4-2-R40	
	Flexible	2.2	-	-	-	552818	SOOC-TB-F-M4-2-R2	
	Precision	1	-	-	552821	SOOC-TB-P-M3-1-R10	552819	SOOC-TB-P-M3-2-R10
				40	552822	SOOC-TB-P-M3-1-R10-S4	-	-
2.2			-	552825	SOOC-TB-P-M4-1-R15	552823	SOOC-TB-P-M4-2-R15	
			40	-	-	552824	SOOC-TB-P-M4-2-R15-S4	
Series	2.2	-	-	-	552827	SOOC-TB-M-A5-2-R25		
	Fork light barrier	1.25	-	-	-	552828	SOOC-TB-P-C5-2-R10	

1) The scope of delivery for fibre-optic cables with fibre-optic cable Ø < 2.2 mm includes an adapter SASA

Fibre-optic units SOE4

Accessories

FESTO

Technical data and order codes – Ancillary lenses								
	Lens function		Protection class	Ambient temperature [°C]	Material Housing	Part No.	Type	
		Increasing working range Light exit 90° Focussing ²⁾						Factor 4 ¹⁾
Factor 8 ¹⁾	Anodised aluminium		552832	SASF-L1-LD-M4				
	Nickel-plated brass		552830	SASF-L1-LA-M2				
	Anodised aluminium		552831	SASF-L1-LS2-M4				

1) Depending on the fibre-optic cable

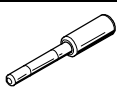
2) Light spot diameter 0.7 mm at a distance of 10 mm, depending on the fibre-optic cable

Compatibility table – Ancillary lenses					
Fibre-optic cable	SASF-L1-LD-M2	SASF-L1-LD-M4	SASF-L1-LA-M2	SASF-L1-LS2-M4	→ Page/Internet
Diffuse sensor					
SOOC-DS-P-M4-2-R15	■	-	-	■	6
SOOC-DS-P-M4-1-R15	■	-	-	■	
SOOC-DS-C-M4-2-R15	■	-	-	■	
Through-beam sensor					
SOOC-TB-M4-2-R25	■	■	■	■	7
SOOC-TB-M4-1-R25	■	■	■	■	
SOOC-TB-H-M4-2-R40	■	■	■	■	
SOOC-TB-H-M4-1-R40	■	■	■	■	
SOOC-TB-F-M4-2-R2	■	■	■	■	
SOOC-TB-P-M4-2-R15	■	■	■	■	
SOOC-TB-P-M4-1-R15	■	■	■	■	
SOOC-TB-M4-2-R25-T1	■	■	■	■	




Note

Only the fibre-optic cables listed here are suitable for combination with an ancillary lens.

Technical data and order codes – Adapter ¹⁾							
	Outer Ø	Suitable for fibre-optic cable Ø	Protection class	Ambient temperature [°C]	Material Housing	Part No.	Type
	[mm]	[mm]					
	2.2	1.0	IP64	-20 ... +60	Acrylic butadiene styrene	552834	SASA-L1-10
		1.25 ... 1.3					552833



1) Included in the scope of delivery for fibre-optic cables SOOC with fibre-optic cable Ø < 2.2 mm


Technical data and order codes – Fibre-optic cable cutter							
	Use	Suitable for fibre-optic cable Ø	Radius of bending tool ¹⁾	Ambient temperature [°C]	Material Housing	Part No.	Type
		[mm]	[mm]				
	For polymer fibre-optic cables	1.0	5, 8, 10	10 ... 60	Acrylic butadiene styrene, reinforced	552835	SATC-L1-C
		1.3					
		2.2					

1) Bending tool for fibre-optic cable sleeves

Fibre-optic units SOE4

Accessories

Ordering data – Connecting cables			
Technical data → Internet: nebu			
	Number of wires	Cable length [m]	Part No. Type
M8x1, straight socket			
	4	2.5	541342 NEBU-M8G4-K-2.5-LE4
		5	541343 NEBU-M8G4-K-5-LE4
M8x1, angled socket			
	4	2.5	541344 NEBU-M8W4-K-2.5-LE4
		5	541345 NEBU-M8W4-K-5-LE4

Ordering data – Adapter plate		
	Part No.	Type
	540214	SXE3-W

Festo - Your Partner in Automation



1 Festo Inc.
5300 Explorer Drive
Mississauga, ON L4W 5G4
Canada

Festo Customer Interaction Center
Tel: 1 877 463 3786
Fax: 1 877 393 3786
Email: customer.service.ca@festo.com



2 Festo Pneumatic
Av. Ceylán 3,
Col. Tequesquináhuac
54020 Tlalnepantla,
Estado de México

Multinational Contact Center
01 800 337 8669
ventas.mexico@festo.com



3 Festo Corporation
1377 Motor Parkway
Suite 310
Islandia, NY 11749

Festo Customer Interaction Center
1 800 993 3786
1 800 963 3786
customer.service.us@festo.com



4 Regional Service Center
7777 Columbia Road
Mason, OH 45040

Connect with us



www.festo.com/socialmedia



www.festo.com

Subject to change