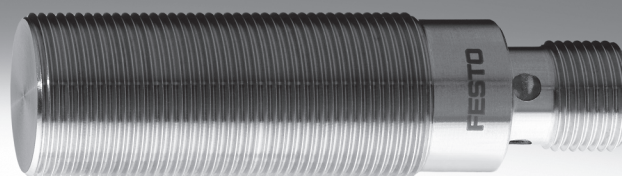


## Proximity sensors SIE..., inductive

**FESTO**



Festo core product range  
Covers 80% of your automation tasks

Worldwide:

Always in stock

Superb:

Festo quality at an attractive price

Easy:

Reduces procurement and storing complexity



Ready for dispatch from the Festo factory in 24 hours  
Held in stock in 13 service centres worldwide  
More than 2200 products



Ready for dispatch in 5 days maximum from stock  
Assembled for you in 4 service centres worldwide  
Up to  $6 \times 10^{12}$  variants per product series

Look for the star!

# Proximity sensors SIE..., inductive

Product range overview

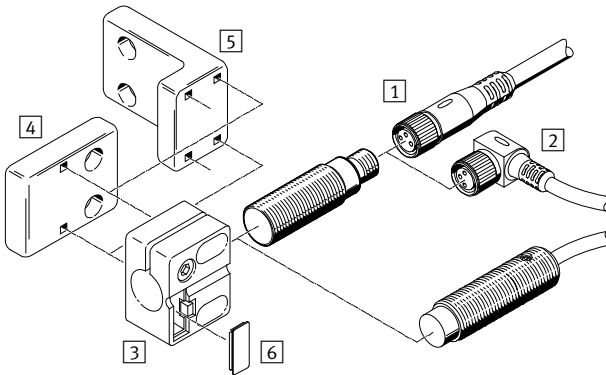


Version	Type	Operating voltage	Switching output/ analogue output	Mounting type	Size	→ Page/ Internet
<b>Reduction factor, material-specific</b>						
Standard switching distance	SIEN Basic version	10 ... 30 V DC 15 ... 34 V DC	PNP NPN	Flush Non-flush	∅ 4 mm, M5, ∅ 6.5 mm, M8, M12, M18, M30	5
	SIEN-...-PA Polyamide housing	10 ... 30 V DC	PNP NPN	Flush Non-flush	M12, M18, M30	13
	SIED Basic version	20 ... 265 V AC 20 ... 320 V DC	Contactless, 2-wire	Flush Non-flush	M12, M18, M30	17
	SIED-...-PA Polyamide housing	20 ... 250 V AC 10 ... 300 V DC	Contactless, 2-wire	Flush Non-flush	M12, M18, M30	23
	SIES Special design	10 ... 30 V DC	PNP NPN	Flush	5x5x25 mm ... 40x40x120 mm	26
	Increased switching distance	SIEH Basic version	10 ... 30 V DC 15 ... 34 V DC	PNP NPN	Flush	∅ 3 mm, M12, M18
SIEH-...-CR Stainless steel housing		10 ... 30 V DC	PNP NPN	Flush	M12, M18	35
Analogue output	SIEA	15 ... 30 V DC	0 ... 10 V and 4 ... 20 mA	Flush	M8, M12, M18, M30	39
<b>Reduction factor 1 for all metals, welding field immune</b>						
Increased switching distance	SIEF Basic version	10 ... 65 V DC	PNP NPN	Flush Partially flush	M8, M12, M18, M30 40x40x65 mm	43
	SIEF-...-WA Housing resistant to welding spatter	10 ... 30 V DC	PNP NPN	Flush Partially flush	M12, M18, M30	49

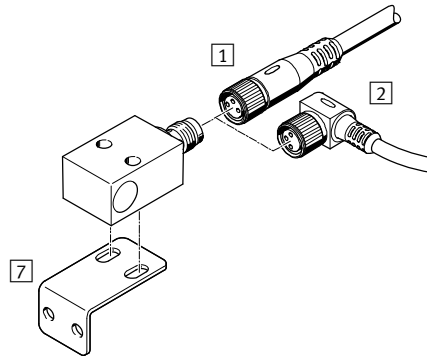
# Proximity sensors SIE..., inductive

Peripherals overview

## SIE...



## SIES-V3B



Mounting attachments and accessories		→ Page/ Internet
1	Connecting cable, straight socket NEBU-M...G...	53
2	Connecting cable, angled socket NEBU-M...W...	53
3	Sensor bracket SIEZ-...B	53
4	Sensor bracket SIEZ-UV	53
5	Sensor bracket SIEZ-UH	53
6	Inscription label SIEZ-LB	53
7	Mounting bracket HV-M5	53

Mounting attachments and accessories		→ Page/ Internet
-	Foot mounting HBN	53
-	Foot mounting HBE	53
-	Flange mounting FBN	53
-	Stop for proximity SDA	53

# Proximity sensors SIE..., inductive

Type codes

SIE N - M 30 NB - P S - K - L -

Type	
SIE	Proximity sensor, inductive

Type	
A	With analogue output
D	For DC and AC voltage
F	With reduction factor 1 for all metals, welding field immune
H	With increased switching distance
N	With standard switching distance
S	Special design

Design	
-	Round
M	Metric thread
Q	Block-shaped
V3	Block-shaped

**Size**

Mounting type	
B	Flush
NB	Non-flush
S	Partially flush

Electrical output	
P	Switching output PNP
N	Switching output NPN
Z	2-wire output
PU	Analogue output 0 ... 10 V
UI	Analogue output 0 ... 10 V and 4 ... 20 mA

Switching element function	
S	N/O contact
O	N/C contact
A	Antivalent

Electrical connection	
K	Cable
S	Plug
X	Screw terminals

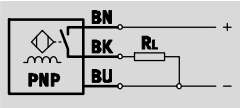
Display	
-	Without display
L	Switching status
2L	Switching status and ready status

Version	
-	Standard
CR	Stainless steel housing
PA	Polyamide housing
WA	Housing resistant to welding spatter

# Proximity sensors SIEN, inductive

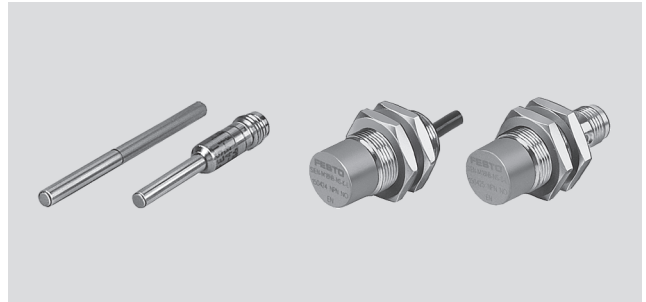
Technical data – Standard switching distance, basic version

Function<sup>1)</sup>



- Standard switching distance
- For DC voltage
- Round design

1) e.g. N/O contact with PNP output and cable



General technical data							
Size	4 mm	M5	6.5 mm	M8	M12	M18	M30
Conforms to	EN 60947-5-2						
Certification	cULus listed (OL)						
	RCM trademark						
CE mark (see declaration of conformity)	To EU EMC Directive <sup>1)</sup>						
Note on materials	Free of copper and PTFE						
	RoHS-compliant						
	-			Contains PWIS (paint-wetting impairment substances)			

1) For information about the applicability of the component see the manufacturer's EC declaration of conformity at: [www.festo.com/sp](http://www.festo.com/sp) → User documentation.  
If the component is subject to restrictions on usage in residential, office or commercial environments or small businesses, further measures to reduce the emitted interference may be necessary.

Input signal/measuring element							
Size	4 mm	M5	6.5 mm	M8	M12	M18	M30
Ambient temperature	[°C]	-25 ... +70					

Output, general												
Mounting type	Flush								Non-flush			
	4 mm	M5	6.5 mm	M8	M12	M18	M30	M8	M12	M18	M30	
Repetition accuracy	[mm]	0.04	0.04	0.07	0.07	0.1	0.25	0.5	0.12	0.2	0.4	0.75

Switching output												
Mounting type	Flush								Non-flush			
	4 mm	M5	6.5 mm	M8	M12	M18	M30	M8	M12	M18	M30	
Switching output	PNP								PNP			
	NPN								NPN			
Switching element function	N/O contact								N/O contact			
	N/C contact								N/C contact			
Rated operating distance	[mm]	0.8	0.8	1.5	1.5	2	5	10	2.5	4	8	15
Assured switching distance	[mm]	0.64	0.64	1.21	1.21	1.62	4.05	8.1	2.03	3.24	6.48	12.15
Reduction factors												
Aluminium	0.4	0.4	0.25	0.25	0.4	0.4	0.45	0.25	0.5	0.5	0.5	
Stainless steel St 18/8	0.7	0.7	0.7	0.7	0.6	0.8	0.8	0.7	0.9	0.8	0.85	
Copper	0.3	0.3	0.2	0.2	0.3	0.4	0.4	0.2	0.5	0.4	0.43	
Brass	0.4	0.4	0.35	0.35	0.5	0.5	0.55	0.35	0.6	0.5	0.53	
Steel St 37	1.0	1.0	1.0	1.0	1.0	1.0	1.0	1.0	1.0	1.0	1.0	
Hysteresis	[mm]	-	-	≤ 0.07	≤ 0.07	≤ 0.18	≤ 0.55	≤ 1.1	≤ 0.12	≤ 0.36	≤ 0.88	≤ 1.65
Max. switching frequency	[Hz]	3,000	3,000	5,000	5,000	3,000	2,000	1,200	3,000	2,000	2,000	700
Max. output current	[mA]	200										
Voltage drop	[V]	0 ... 2										

# Proximity sensors SIEN, inductive

FESTO

Technical data – Standard switching distance, basic version

Output, additional data							
Size	4 mm	M5	6.5 mm	M8	M12	M18	M30
Protection against short circuit	Pulsed						
Inductive protective circuit	Integrated						
Induced voltage protection	Integrated		–				

Electronic components							
Size	4 mm	M5	6.5 mm	M8	M12	M18	M30
Operating voltage range [V DC]	10 ... 30						
Residual ripple [%]	10			±10		±20	
Idle current [mA]	0 ... 10						
Reverse polarity protection	For all electrical connections						

Electromechanical components							
Size	4 mm	M5	6.5 mm	M8	M12	M18	M30
Cable							
Electrical connection	Cable, 3-wire						
Cable length [m]	2.5						
Cable sheath material	TPE-U (PUR)						
Plug							
Electrical connection	Plug, M8x1, 3-pin	Plug, M8x1, 3-pin	Plug, M8x1, 3-pin	Plug, M8x1, 3-pin	Plug, M12x1, 3-pin	Plug, M12x1, 3-pin	Plug, M12x1, 3-pin

Mechanical components												
Size	4 mm	M5	6.5 mm	M8	M12	M18	M30					
Attachment type	Clamped	Via lock nut	Clamped	Via lock nut								
Mounting type	Flush			Flush	Non-flush	Flush	Non-flush	Flush	Non-flush	Flush	Non-flush	
Tightening torque [Nm]	–	2	–	–	–	20	40					
Cable												
Product weight [g]	48	48	45	53	53	110	90	108	105	155	150	
Housing material	High-alloy stainless steel					Nickel-plated brass				Chrome-plated brass		
	–	PA		–								
	–	–			PBTP							
Plug												
Product weight [g]	9	9	4	18	18	30	25	43	40	100	100	
Housing material	High-alloy stainless steel					–						
	–	–	Chrome-plated brass		Nickel-plated brass				Chrome-plated brass			
	PA											
	–	–			PBTP							

Display/operation	
Switching status display	Yellow LED

# Proximity sensors SIEN, inductive

Technical data – Standard switching distance, basic version

Immissions/emissions							
Size	4 mm	M5	6.5 mm	M8	M12	M18	M30
Ambient temperature with flexible cable installation [°C]	–	–5 ... +70	–5 ... +70			–5 ... +70	
Protection class	–		IP65			–	
	IP67		IP67			IP67	
Surge strength [kV]	–	1	–			0.8	
Corrosion resistance class CRC <sup>1)</sup>	–	4	2			–	
Degree of contamination	–	3	–			3	

- 1) Corrosion resistance class CRC 2 to Festo standard FN 940070  
 Moderate corrosion stress. Indoor applications in which condensation may occur. External visible parts with primarily decorative requirements for the surface and which are in direct contact with the ambient atmosphere typical for industrial applications.  
 Corrosion resistance class CRC 4 to Festo standard FN 940070  
 Particularly high corrosion stress. Outdoor exposure under extreme corrosive conditions. Parts exposed to aggressive media, for instance in the chemical or food industries. These applications may need to be supported by special tests (→ also FN 940082) using appropriate media.

Pin allocation to EN 60947-5-2			
M8x1, 3-pin			
N/O contact and N/C contact			
	Pin	Wire colour	Allocation
	1	Brown	+
	3	Blue	–
	4	Black	Output
M12x1, 3-pin			
N/O contact			
	Pin	Wire colour	Allocation
	1	Brown	+
	3	Blue	–
	4	Black	Output
N/C contact			
	Pin	Wire colour	Allocation
	1	Brown	+
	3	Blue	–
	2	White	Output

## Dimensions – 4 mm Download CAD data → [www.festo.com](http://www.festo.com)

Flush fitting

Cable SIEN-...-K-L Plug SIEN-...-S-L

- 1 3-core cable, 2.5 m
- 2 Active surface
- 3 1 switching status display, yellow
- 4 4 switching status displays, yellow

Type	D1	D2	D2	D3	L1	L2	L3
	∅	∅		∅			
SIEN-M4B-...-K-L	4	3.5	–	–	25	–	18
SIEN-M4B-...-S-L	4	–	M8x1	6.5	38	21	–

# Proximity sensors SIEN, inductive

Technical data – Standard switching distance, basic version



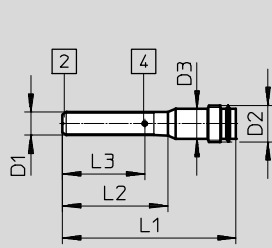
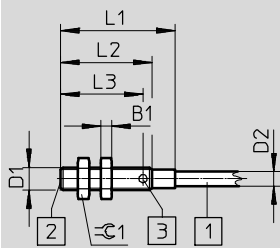
## Dimensions – M5

Download CAD data → [www.festo.com](http://www.festo.com)

Flush fitting

Cable SIEN-...-K-L

Plug SIEN-...-S-L



- 1 3-core cable, 2.5 m
- 2 Active surface

- 3 1 switching status display, yellow
- 4 4 switching status displays, yellow

Type	B1	D1	D2	D2	D3	L1	L2	L3	⌀ 1
SIEN-M5B-...-K-L	2.5	M5x0.5	3.5	–	–	25	20	18	7
SIEN-M5B-...-S-L	–	M5x0.5	–	M8x1	6.5	38	23	–	6.5

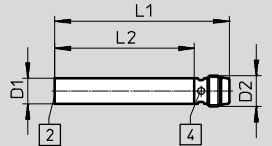
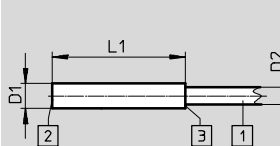
## Dimensions – 6.5 mm

Download CAD data → [www.festo.com](http://www.festo.com)

Flush fitting

Cable SIEN-...-K-L

Plug SIEN-...-S-L



- 1 3-core cable, 2.5 m
- 2 Active surface

- 3 1 switching status display, yellow
- 4 4 switching status displays, yellow

Type	D1	D2	D2	L1	L2
SIEN-M6.5B-...-K-L	6.5	3.5	–	35	–
SIEN-M6.5B-...-S-L	6.5	–	M8x1	45	36

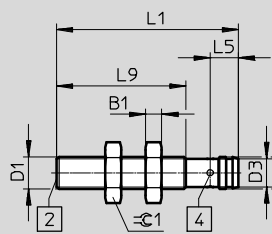
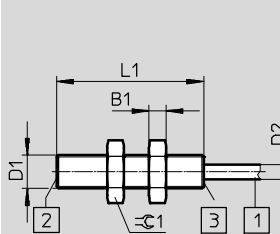
## Dimensions – M8

Download CAD data → [www.festo.com](http://www.festo.com)

Flush fitting

Cable SIEN-...-K-L

Plug SIEN-...-S-L



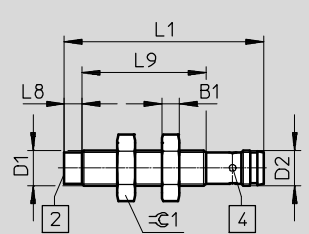
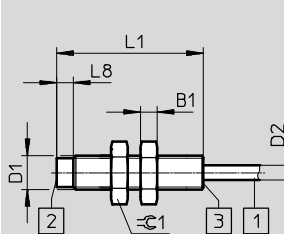
- 1 3-core cable, 2.5 m
- 2 Active surface

- 3 1 switching status display, yellow
- 4 4 switching status displays, yellow

Non-flush fitting

Cable SIEN-M8NB-...-K-L

Plug SIEN-M8NB-...-S-L



- 1 3-core cable, 2.5 m
- 2 Active surface

- 3 1 switching status display, yellow
- 4 4 switching status displays, yellow

Type	B1	D1	D2	D2	L1	L5	L8	L9	⌀ 1
SIEN-M8B-...-K-L	4	M8x1	3.5	–	35	–	–	–	13
SIEN-M8B-...-S-L	4	M8x1	–	M8x1	45	7	–	32	13
SIEN-M8NB-...-K-L	4	M8x1	3.5	–	35	–	4	–	13
SIEN-M8NB-...-S-L	4	M8x1	–	M8x1	45	–	4	27.5	13



# Proximity sensors SIEN, inductive

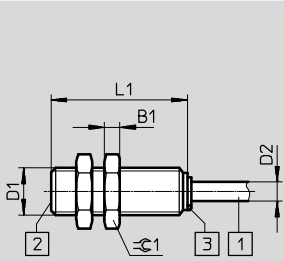
Technical data – Standard switching distance, basic version

## Dimensions – M12

Download CAD data → [www.festo.com](http://www.festo.com)

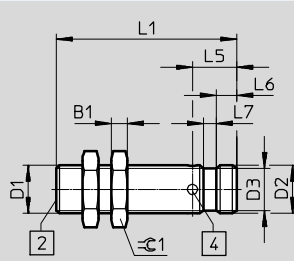
Flush fitting

Cable SIEN-...-K-L



- 1 3-core cable, 2.5 m
- 2 Active surface

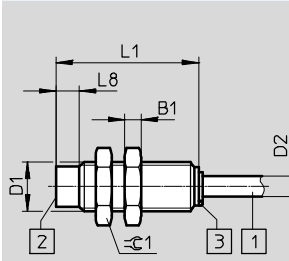
Plug SIEN-...-S-L



- 3 1 switching status display, yellow
- 4 4 switching status displays, yellow

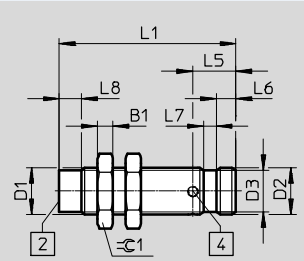
Non-flush fitting

Cable SIEN-M12NB-...-K-L



- 1 3-core cable, 2.5 m
- 2 Active surface

Plug SIEN-M12NB-...-S-L



- 3 1 switching status display, yellow
- 4 4 switching status displays, yellow

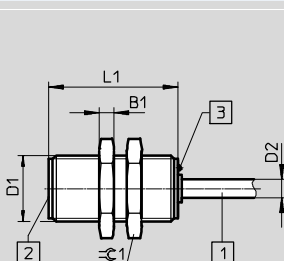
Type	B1	D1	D2 Ø	D2	D3 Ø	L1	L5	L6	L7	L8	⌀1
SIEN-M12B-...-K-L	4	M12x1	5	-	-	35	-	-	-	-	17
SIEN-M12B-...-S-L	4	M12x1	-	M12x1	-	45	11	5	3.3	-	17
SIEN-M12NB-...-K-L	4	M12x1	5	-	-	35	-	-	-	5.7	17
SIEN-M12NB-...-S-L	4	M12x1	-	M12x1	10.5	45	11	5	3.3	5.7	17

## Dimensions – M18

Download CAD data → [www.festo.com](http://www.festo.com)

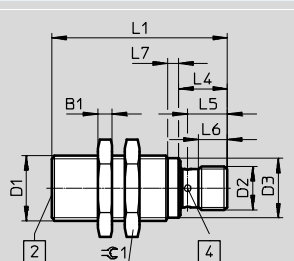
Flush fitting

Cable SIEN-...-K-L



- 1 3-core cable, 2.5 m
- 2 Active surface

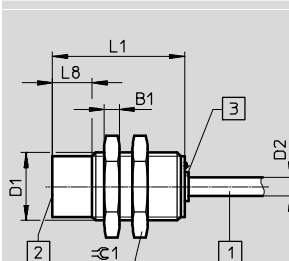
Plug SIEN-...-S-L



- 3 1 switching status display, yellow
- 4 4 switching status displays, yellow

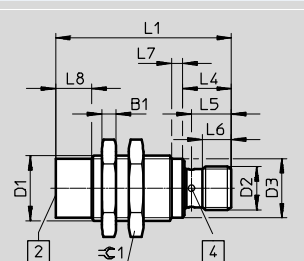
Non-flush fitting

Cable SIEN-M18NB-...-K-L



- 1 3-core cable, 2.5 m
- 2 Active surface

Plug SIEN-M18NB-...-S-L



- 3 1 switching status display, yellow
- 4 4 switching status displays, yellow

Type	B1	D1	D2 Ø	D2	D3 Ø	L1	L4	L5	L6	L7	L8	⌀1
SIEN-M18B-...-K-L	4	M18x1	5	-	-	35	-	-	-	-	-	24
SIEN-M18B-...-S-L	4	M18x1	-	M12x1	16.4	48.5	13.5	11	8	3	-	24
SIEN-M18NB-...-K-L	4	M18x1	5	-	-	35	-	-	-	-	10	24
SIEN-M18NB-...-S-L	4	M18x1	-	M12x1	16.4	48.5	13.5	11	8	3	10	24

# Proximity sensors SIEN, inductive

Technical data – Standard switching distance, basic version

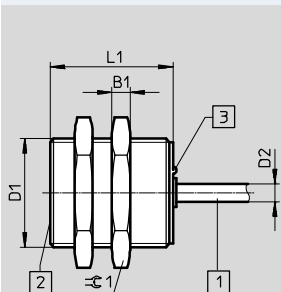


Download CAD data → [www.festo.com](http://www.festo.com)

## Dimensions – M30

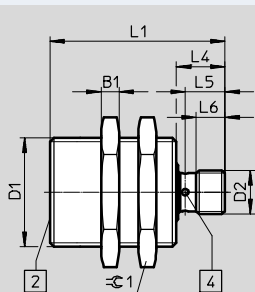
### Flush fitting

Cable SIEN-...-K-L



- 1 3-core cable, 2.5 m
- 2 Active surface

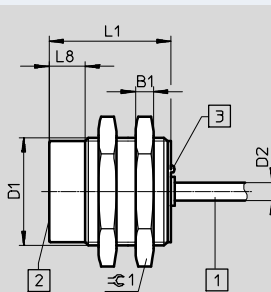
Plug SIEN-...-S-L



- 3 1 switching status display, yellow
- 4 4 switching status displays, yellow

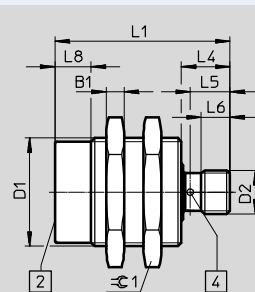
### Non-flush fitting

Cable SIEN-M30NB-...-K-L



- 1 3-core cable, 2.5 m
- 2 Active surface

Plug SIEN-M30NB-...-S-L

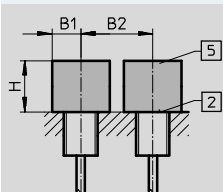


- 3 1 switching status display, yellow
- 4 4 switching status displays, yellow

Type	B1	D1	D2	D2	L1	L4	L5	L6	L8	≈C 1
SIEN-M30B-...-K-L	5	M30x1.5	5	–	35	–	–	–	–	36
SIEN-M30B-...-S-L	5	M30x1.5	–	M12x1	48.5	13.5	11	8	–	36
SIEN-M30NB-...-K-L	5	M30x1.5	5	–	35	–	–	–	10	36
SIEN-M30NB-...-S-L	5	M30x1.5	–	M12x1	48.5	13.5	11	8	10	36

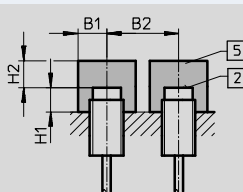
## Fitting instructions

### Flush fitting



- 2 Active surface
- 5 Metal-free zone

### Non-flush fitting



- 2 Active surface
- 5 Metal-free zone

Size	B1	B2	H
4 mm	2.5	5	2
M5	3.3	5	2.4
6.5 mm	5	9.5	4.5
M8	5.5	10	4.5
M12	8	18	6
M18	14	32	15
M30	25	60	30



Size	B1	B2	H1	H2
M8	9	16	8	7.5
M12	12	28	6	12
M18	20	50	10	24
M30	30	75	15	45

# Proximity sensors SIEN, inductive






Technical data – Standard switching distance, basic version

FESTO

## ★ Core product range

Ordering data								
Size	S <sub>n</sub> <sup>1)</sup> [mm]	Mounting type	Switching output	Switching element function	Electrical connection			
					Cable		Plug	
					Part No.	Type	Part No.	Type
M5								
	0.8	Flush	PNP	N/O contact	★ 150370	SIEN-M5B-PS-K-L	★ 150371	SIEN-M5B-PS-S-L
			NPN	N/O contact	★ 150368	SIEN-M5B-NS-K-L	★ 150369	SIEN-M5B-NS-S-L
M8								
	1.5	Flush	PNP	N/O contact	★ 150386	SIEN-M8B-PS-K-L	★ 150387	SIEN-M8B-PS-S-L
			NPN	N/O contact	★ 150384	SIEN-M8B-NS-K-L	★ 150385	SIEN-M8B-NS-S-L

1) S<sub>n</sub> Rated operating distance [mm]

Ordering data								
Size	S <sub>n</sub> <sup>1)</sup> [mm]	Mounting type	Switching output	Switching element function	Electrical connection			
					Cable		Plug	
					Part No.	Type	Part No.	Type
4 mm								
	0.8	Flush	PNP	N/O contact	150362	SIEN-4B-PS-K-L	150363	SIEN-4B-PS-S-L
				N/C contact	150366	SIEN-4B-PO-K-L	150367	SIEN-4B-PO-S-L
			NPN	N/O contact	150360	SIEN-4B-NS-K-L	150361	SIEN-4B-NS-S-L
				N/C contact	150364	SIEN-4B-NO-K-L	150365	SIEN-4B-NO-S-L
M5								
	0.8	Flush	PNP	N/C contact	150374	SIEN-M5B-PO-K-L	150375	SIEN-M5B-PO-S-L
			NPN	N/C contact	150372	SIEN-M5B-NO-K-L	150373	SIEN-M5B-NO-S-L
6.5 mm								
	1.5	Flush	PNP	N/O contact	150378	SIEN-6,5B-PS-K-L	150379	SIEN-6,5B-PS-S-L
				N/C contact	150382	SIEN-6,5B-PO-K-L	150383	SIEN-6,5B-PO-S-L
			NPN	N/O contact	150376	SIEN-6,5B-NS-K-L	150377	SIEN-6,5B-NS-S-L
				N/C contact	150380	SIEN-6,5B-NO-K-L	150381	SIEN-6,5B-NO-S-L
M8								
	1.5	Flush	PNP	N/C contact	150390	SIEN-M8B-PO-K-L	150391	SIEN-M8B-PO-S-L
			NPN	N/C contact	150388	SIEN-M8B-NO-K-L	150389	SIEN-M8B-NO-S-L
	2.5	Non-flush	PNP	N/O contact	150394	SIEN-M8NB-PS-K-L	150395	SIEN-M8NB-PS-S-L
				N/C contact	150398	SIEN-M8NB-PO-K-L	150399	SIEN-M8NB-PO-S-L
			NPN	N/O contact	150392	SIEN-M8NB-NS-K-L	150393	SIEN-M8NB-NS-S-L
				N/C contact	150396	SIEN-M8NB-NO-K-L	150397	SIEN-M8NB-NO-S-L

1) S<sub>n</sub> Rated operating distance [mm]

Festo core product range

★ Generally ready for shipping ex works in 24 hours

☆ Generally ready for shipping ex works in 5 days

# Proximity sensors SIEN, inductive

Technical data – Standard switching distance, basic version

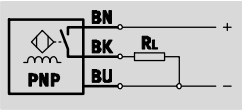
Ordering data									
Size	S <sub>n</sub> <sup>1)</sup> [mm]	Mounting type	Switching output	Switching element function	Electrical connection				
					Cable		Plug		
					Part No.	Type	Part No.	Type	Type
<b>M12</b>									
	2.0	Flush	PNP	N/O contact	150402	SIEN-M12B-PS-K-L	150403	SIEN-M12B-PS-S-L	
				N/C contact	150406	SIEN-M12B-PO-K-L	150407	SIEN-M12B-PO-S-L	
			NPN	N/O contact	150400	SIEN-M12B-NS-K-L	150401	SIEN-M12B-NS-S-L	
				N/C contact	150404	SIEN-M12B-NO-K-L	150405	SIEN-M12B-NO-S-L	
	4.0	Non-flush	PNP	N/O contact	150410	SIEN-M12NB-PS-K-L	150411	SIEN-M12NB-PS-S-L	
				N/C contact	150414	SIEN-M12NB-PO-K-L	150415	SIEN-M12NB-PO-S-L	
			NPN	N/O contact	150408	SIEN-M12NB-NS-K-L	150409	SIEN-M12NB-NS-S-L	
				N/C contact	150412	SIEN-M12NB-NO-K-L	150413	SIEN-M12NB-NO-S-L	
<b>M18</b>									
	5.0	Flush	PNP	N/O contact	150418	SIEN-M18B-PS-K-L	150419	SIEN-M18B-PS-S-L	
				N/C contact	150422	SIEN-M18B-PO-K-L	150423	SIEN-M18B-PO-S-L	
			NPN	N/O contact	150416	SIEN-M18B-NS-K-L	150417	SIEN-M18B-NS-S-L	
				N/C contact	150420	SIEN-M18B-NO-K-L	150421	SIEN-M18B-NO-S-L	
	8.0	Non-flush	PNP	N/O contact	150426	SIEN-M18NB-PS-K-L	150427	SIEN-M18NB-PS-S-L	
				N/C contact	150430	SIEN-M18NB-PO-K-L	150431	SIEN-M18NB-PO-S-L	
			NPN	N/O contact	150424	SIEN-M18NB-NS-K-L	150425	SIEN-M18NB-NS-S-L	
				N/C contact	150428	SIEN-M18NB-NO-K-L	150429	SIEN-M18NB-NO-S-L	
<b>M30</b>									
	10.0	Flush	PNP	N/O contact	150434	SIEN-M30B-PS-K-L	150435	SIEN-M30B-PS-S-L	
				N/C contact	150438	SIEN-M30B-PO-K-L	150439	SIEN-M30B-PO-S-L	
			NPN	N/O contact	150432	SIEN-M30B-NS-K-L	150433	SIEN-M30B-NS-S-L	
				N/C contact	150436	SIEN-M30B-NO-K-L	150437	SIEN-M30B-NO-S-L	
	15.0	Non-flush	PNP	N/O contact	150442	SIEN-M30NB-PS-K-L	150443	SIEN-M30NB-PS-S-L	
				N/C contact	150446	SIEN-M30NB-PO-K-L	150447	SIEN-M30NB-PO-S-L	
			NPN	N/O contact	150440	SIEN-M30NB-NS-K-L	150441	SIEN-M30NB-NS-S-L	
				N/C contact	150444	SIEN-M30NB-NO-K-L	150445	SIEN-M30NB-NO-S-L	

1) S<sub>n</sub> Rated operating distance [mm]

# Proximity sensors SIEN-...-PA, inductive

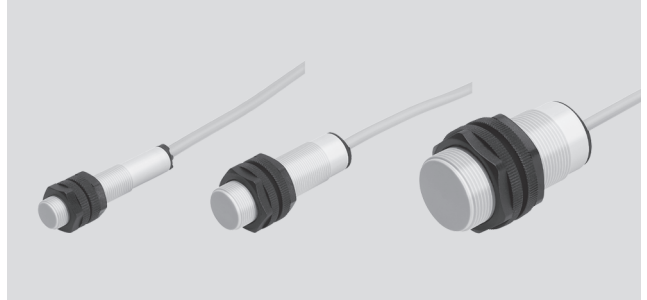
Technical data – Standard switching distance, polyamide housing

Function<sup>1)</sup>



1) e.g. N/O contact with PNP output and cable

- Standard switching distance
- Corrosion-resistant
- Polyamide housing
- For DC voltage
- Round design



General technical data	
Design	Round
Conforms to	EN 60947-5-2
Certification	cULus listed (OL)
	RCM trademark
CE mark (see declaration of conformity)	To EU EMC Directive <sup>1)</sup>
Note on materials	Free of copper and PTFE

1) For information about the applicability of the component see the manufacturer's EC declaration of conformity at: [www.festo.com/sp](http://www.festo.com/sp) → User documentation.  
If the component is subject to restrictions on usage in residential, office or commercial environments or small businesses, further measures to reduce the emitted interference may be necessary.

Input signal/measuring element		
Ambient temperature	[°C]	-25 ... +70

Output, general							
Mounting type	Flush			Non-flush			
	M12	M18	M30	M12	M18	M30	
Size							
Repetition accuracy	[mm]	0.04	0.1	0.2	0.08	0.16	0.3

Switching output							
Mounting type	Flush			Non-flush			
	M12	M18	M30	M12	M18	M30	
Size							
Switching output	PNP			PNP			
	NPN			NPN			
Switching element function	N/O contact			N/O contact			
Rated operating distance	[mm]	2	5	10	4	8	15
Assured switching distance	[mm]	1.62	4.05	8.1	3.24	6.48	12.15

Reduction factors							
Aluminium		0.35 ... 0.5			0.35 ... 0.5		
Stainless steel St 18/8		0.6 ... 1.0			0.6 ... 1.0		
Copper		0.25 ... 0.45			0.25 ... 0.45		
Brass		0.35 ... 0.5			0.35 ... 0.5		
Steel St 37		1.0			1.0		
Hysteresis	[mm]	0.06 ... 0.3	0.15 ... 0.75	0.3 ... 1.5	0.12 ... 0.6	0.24 ... 1.2	0.45 ... 2.25
Max. switching frequency DC	[Hz]	2,000	1,000	500	2,000	1,000	500
Max. output current	[mA]	200			200		
Voltage drop	[V]	≤ 1.8			≤ 1.8		

Output, additional data	
Protection against short circuit	Pulsed

# Proximity sensors SIEN-...-PA, inductive

Technical data – Standard switching distance, polyamide housing

Electronic components		
Operating voltage range	[V DC]	10 ... 30
Residual ripple	[%]	10
Idle current	[mA]	≤ 15
Reverse polarity protection		For all electrical connections

Electromechanical components		
Electrical connection		Cable, 3-wire
Cable length	[m]	2.5
Cable sheath material		PVC
Insulating sheath material		PVC

Mechanical components							
Size	M12		M18		M30		
Attachment type	Via lock nut						
Mounting type	Flush	Non-flush	Flush	Non-flush	Flush	Non-flush	
Tightening torque	[Nm]	–	25	–	25	15	15
Product weight	[g]	41	38	124	141	48	48
Housing material	PA-reinforced						

Display/operation	
Switching status display	Yellow LED

Immissions/emissions							
Mounting type	Flush			Non-flush			
	Size	M12	M18	M30	M12	M18	M30
Ambient temperature with flexible cable installation	[°C]	0 ... +70			0 ... +70		
Protection class		IP65			IP67		
		IP67					
Corrosion resistance class CRC <sup>1)</sup>		4			4		

1) Corrosion resistance class CRC 4 to Festo standard FN 940070  
 Particularly high corrosion stress. Outdoor exposure under extreme corrosive conditions. Parts exposed to aggressive media, for instance in the chemical or food industries. These applications may need to be supported by special tests (→ also FN 940082) using appropriate media.

# Proximity sensors SIEN...-PA, inductive

Technical data – Standard switching distance, polyamide housing

## Dimensions

Download CAD data → [www.festo.com](http://www.festo.com)

### M12

1 3-core cable, 2.5 m  
2 Active surface  
3 1 switching status display, yellow

### M18

1 3-core cable, 2.5 m  
2 Active surface  
3 1 switching status display, yellow

Type	B1	D1	D2 Ø	L1	L2	L10	≈ 1
SIEN-M12...-B...-K-L-PA	8	M12x1	5	60	40	4	17
SIEN-M18...-B...-K-L-PA	8.2	M18x1	5.2	60	50	4	24

## Dimensions

Download CAD data → [www.festo.com](http://www.festo.com)

### M30

1 3-core cable, 2.5 m  
2 Active surface  
3 1 switching status display, yellow

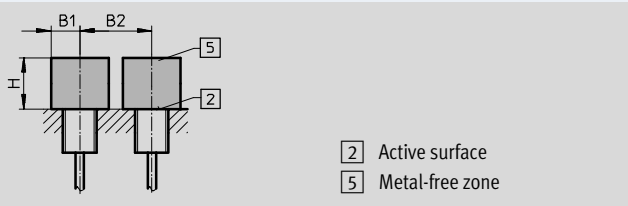
Type	B1	D1	D2 Ø	L1	L2	L10	≈ 1
SIEN-M30...-B...-K-L-PA	10	M30x1.5	5	60	50	4	36

# Proximity sensors SIEN-...-PA, inductive

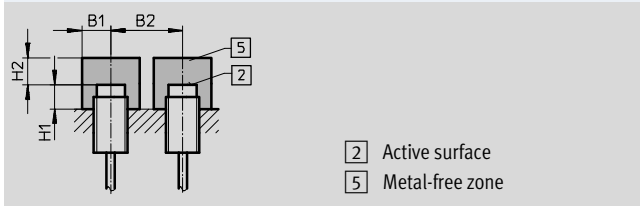
Technical data – Standard switching distance, polyamide housing

## Fitting instructions

### Flush fitting






### Non-flush fitting



Size	B1	B2	H
M12	18	24	6
M18	27	36	15
M30	45	60	30

Size	B1	B2	H1	H2
M12	18	36	8	12
M18	27	54	16	24
M30	45	90	30	45

## Ordering data

Size	S <sub>n</sub> <sup>1)</sup> [mm]	Mounting type	Switching output	Switching element function	Electrical connection	
					Cable	Part No. Type
 M12	2.0	Flush	PNP	N/O contact	538323	SIEN-M12B-PS-K-L-PA
			NPN		538324	SIEN-M12B-NS-K-L-PA
	4.0	Non-flush	PNP		538329	SIEN-M12NB-PS-K-L-PA
			NPN		538330	SIEN-M12NB-NS-K-L-PA
 M18	5.0	Flush	PNP	N/O contact	538325	SIEN-M18B-PS-K-L-PA
			NPN		538326	SIEN-M18B-NS-K-L-PA
	8.0	Non-flush	PNP		538331	SIEN-M18NB-PS-K-L-PA
			NPN		538332	SIEN-M18NB-NS-K-L-PA
 M30	10.0	Flush	PNP	N/O contact	538327	SIEN-M30B-PS-K-L-PA
			NPN		538328	SIEN-M30B-NS-K-L-PA
	15.0	Non-flush	PNP		538333	SIEN-M30NB-PS-K-L-PA
			NPN		538334	SIEN-M30NB-NS-K-L-PA

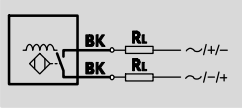
1) S<sub>n</sub> Rated operating distance [mm]



# Proximity sensors SIED, inductive

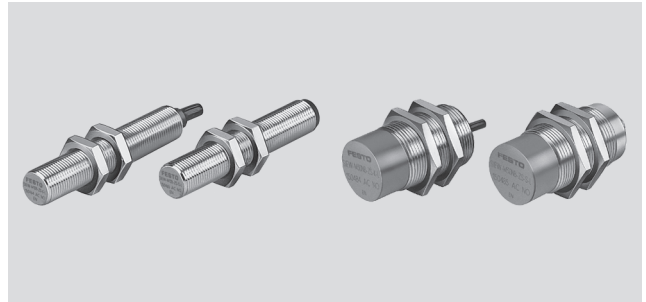
Technical data – Standard switching distance, for DC and AC voltage

Function<sup>1)</sup>



1) e.g. N/O contact with cable

- Standard switching distance
- For DC and AC voltage
- Round design



## General technical data

Design	Round
Conforms to	EN 60947-5-2
Certification	cULus listed (OL) RCM trademark
CE mark (see declaration of conformity)	To EU EMC Directive <sup>1)</sup> To EU Low Voltage Directive
Note on materials	Free of copper and PTFE

1) For information about the applicability of the component see the manufacturer's EC declaration of conformity at: [www.festo.com/sp](http://www.festo.com/sp) → User documentation.  
If the component is subject to restrictions on usage in residential, office or commercial environments or small businesses, further measures to reduce the emitted interference may be necessary.

## Input signal/measuring element

Ambient temperature	[°C]	-25 ... +85
---------------------	------	-------------

## Output, general

Mounting type	Flush			Non-flush			
	M12	M18	M30	M12	M18	M30	
Repetition accuracy	[mm]	0.1	0.15	0.3	0.2	0.2	0.4

## Switching output

Mounting type	Flush			Non-flush			
	M12	M18	M30	M12	M18	M30	
Switching output	Contactless, 2-wire			Contactless, 2-wire			
Switching element function	N/O contact			N/O contact			
	N/C contact			N/C contact			
Rated operating distance	[mm]	2	5	10	4	8	15
Assured switching distance	[mm]	1.62	4.05	8.1	3.24	6.5	12.5

## Reduction factors

Aluminium	0.5	0.4	0.4	0.6	0.4	0.5	
Stainless steel St 18/8	0.9	0.7	0.7	0.9	0.7	0.8	
Copper	0.4	0.3	0.3	0.5	0.3	0.4	
Brass	0.6	0.4	0.4	0.6	0.4	0.5	
Steel St 37	1.0	1.0	1.0	1.0	1.0	1.0	
Hysteresis	[mm]	0.02 ... 0.44	0.04 ... 1.15	0.05 ... 2.2	0.03 ... 0.88	0.03 ... 1.9	0.04 ... 3.3
Max. switching frequency AC	[Hz]	25			25		
Max. switching frequency DC	[Hz]	1,200	490	200	900	340	220
Max. output current	[mA]	200	300	300	200	300	300
Minimum load current	[mA]	5			5		
Voltage drop	[V]	≤ 8			≤ 8		

# Proximity sensors SIED, inductive

Technical data – Standard switching distance, for DC and AC voltage

Output, additional data	
Protection against short circuit	No

Electronic components		
Operating voltage range AC	[V AC]	20 ... 265
Operating voltage range DC	[V DC]	20 ... 320
Idle current	[mA]	≤ 1.5
Reverse polarity protection	For all electrical connections	

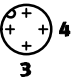
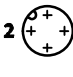
Electromechanical components		
Electrical connection	Cable	Plug
Electrical connection	Cable, 2-wire	Plug, M12x1, 2-pin
Cable length	[m]	2.5
Cable sheath material	TPE-U (PUR)	
Insulating sheath material	PVC	

Mechanical components							
Size	M12		M18		M30		
Electrical connection	Cable	Plug	Cable	Plug	Cable	Plug	
Attachment type	Via lock nut		Via lock nut		Via lock nut		
Mounting type	Flush		Flush		Flush		
	Non-flush		Non-flush		Non-flush		
Tightening torque	[Nm]	10	20		40		
Product weight	[g]	90	20	110	50	140	
Housing materials	Nickel-plated brass, PA		Nickel-plated brass, PA		Nickel-plated brass, PA		

Display/operation	
Switching status display	Yellow LED

Immissions/emissions		
Electrical connection	Cable	Plug
Ambient temperature with flexible cable installation	[°C]	-5 ... +50
Protection class	IP67	IP67
Corrosion resistance class CRC <sup>1)</sup>	1	1

1) Corrosion resistance class CRC 1 to Festo standard FN 940070  
 Low corrosion stress. For dry indoor applications or transport and storage protection. Also applies to parts behind covers, in the non-visible interior area, and parts which are covered in the application (e.g. drive trunnions).

Pin allocation to EN 60947-5-2							
M12x1, 2-pin							
N/O contact				N/C contact			
	Pin	Wire colour	Allocation	M12x1	Pin	Wire colour	Allocation
	3	Black	/+/-		1	Black	/+/-
	4	Black	/-/+		2	Black	/-/+

# Proximity sensors SIED, inductive

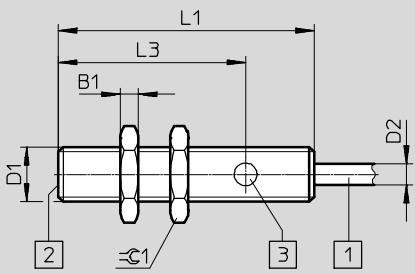
Technical data – Standard switching distance, for DC and AC voltage

## Dimensions – M12

Download CAD data → [www.festo.com](http://www.festo.com)

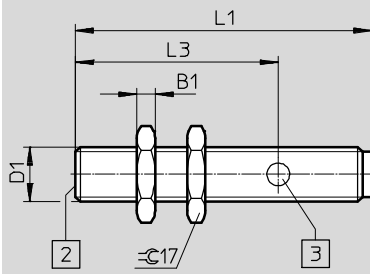
Flush fitting

Cable



- 1 2-core cable, 2.5 m
- 2 Active surface
- 3 1 switching status display, yellow

Plug

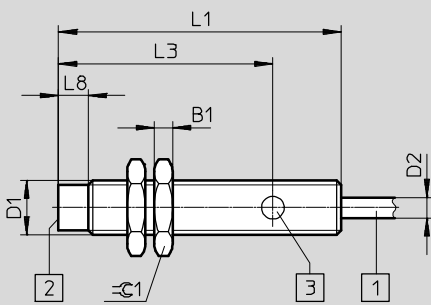


- 2 Active surface
- 3 1 switching status display, yellow

Type	B1 -0.3	D1	D2 Ø ±0.15	L1	L3	⌀ 1
SIED-M12B-Z...-K-L	4	M12x1	4.5	56	41	17
SIED-M12B-Z...-S-L	4	M12x1	-	65	44.5	17

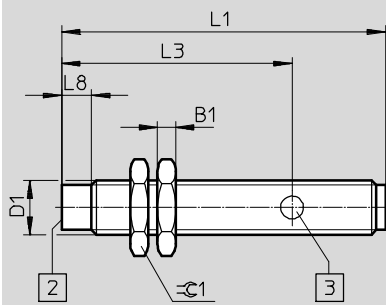
Non-flush fitting

Cable



- 1 2-core cable, 2.5 m
- 2 Active surface
- 3 1 switching status display, yellow

Plug



- 2 Active surface
- 3 1 switching status display, yellow

Type	B1 -0.3	D1	D2 Ø ±0.15	L1	L3	L8	⌀ 1
SIED-M12NB-Z...-K-L	4	M12x1	4.5	62	47	6.5	17
SIED-M12NB-Z...-S-L	4	M12x1	-	71	50.5	6.5	17

# Proximity sensors SIED, inductive

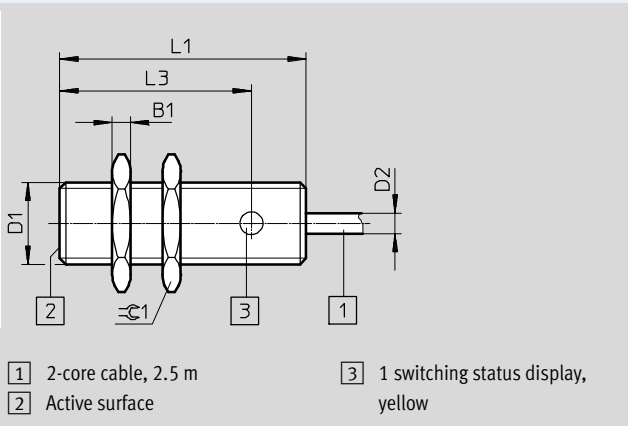
Technical data – Standard switching distance, for DC and AC voltage

Download CAD data → [www.festo.com](http://www.festo.com)

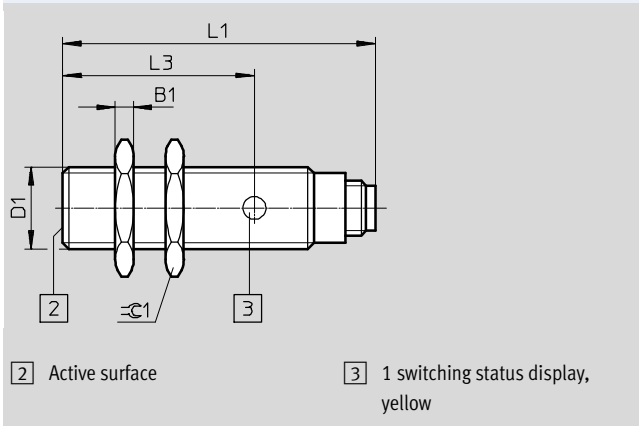
## Dimensions – M18

Flush fitting

Cable



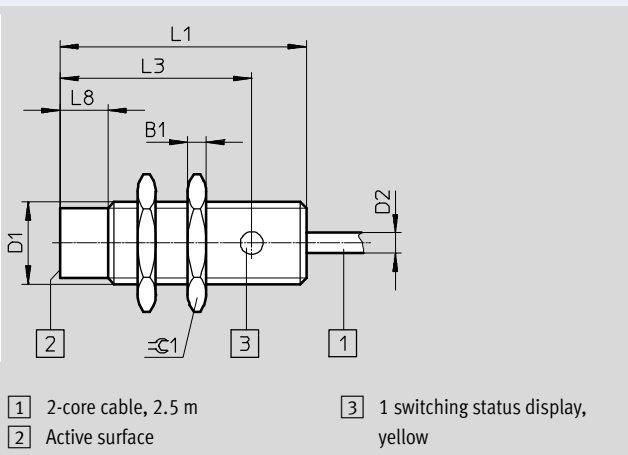
Plug



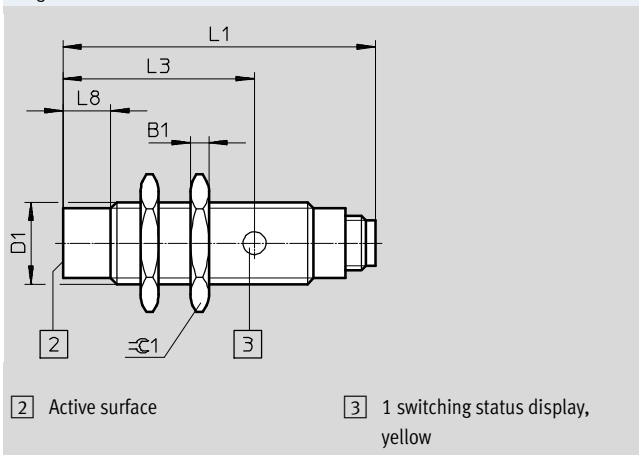
Type	B1 -0.3	D1	D2 Ø ±0.15	L1	L3	≈ 1
SIED-M18B-Z...-K-L	4	M18x1	4.5	54	42	24
SIED-M18B-Z...-S-L	4	M18x1	-	68.5	42	24

Non-flush fitting

Cable



Plug



Type	B1 -0.3	D1	D2 Ø ±0.15	L1	L3	L8	≈ 1
SIED-M18NB-Z...-K-L	4	M18x1	4.5	54	42	10.5	24
SIED-M18NB-Z...-S-L	4	M18x1	-	68.5	42	10.5	24

# Proximity sensors SIED, inductive

Technical data – Standard switching distance, for DC and AC voltage

**Dimensions – M30** Download CAD data → [www.festo.com](http://www.festo.com)

**Flush fitting**

Cable Plug

1 2-core cable, 2.5 m  
2 Active surface  
3 1 switching status display, yellow

**Non-flush fitting**

Cable Plug

1 2-core cable, 2.5 m  
2 Active surface  
3 1 switching status display, yellow

Type	B1 -0.3	D1	D2 Ø ±0.15	L1	L3	L8	⌀1
SIED-M30B-Z....K-L	5	M30x1.5	4.5	54	42	-	36
SIED-M30B-Z....S-L	5	M30x1.5	-	68.5	42	-	36
SIED-M30NB-Z....K-L	5	M30x1.5	4.5	54	42	15.5	36
SIED-M30NB-Z....S-L	5	M30x1.5	-	68.5	42	15.5	36

**Fitting instructions**

**Flush fitting**

2 Active surface  
5 Metal-free zone

**Non-flush fitting**

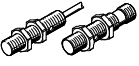





2 Active surface  
5 Metal-free zone

Size	B1	B2	H
M12	6	12	6
M18	11	30	10
M30	25	37	16

Size	B1	B2	H1	H2
M12	15	27	8	8
M18	20	50	15	15
M30	30	80	15	25

# Proximity sensors SIED, inductive

Technical data – Standard switching distance, for DC and AC voltage

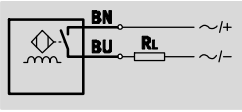
Ordering data								
Size	S <sub>n</sub> <sup>1)</sup> [mm]	Mounting type	Switching output	Switching element function	Electrical connection			
					Cable		Plug	
					Part No.	Type	Part No.	Type
<b>M12</b>								
	2.0	Flush	Contactless, 2-wire	N/O contact	<b>538272</b>	<b>SIED-M12B-ZS-K-L</b>	<b>538271</b>	<b>SIED-M12B-ZS-S-L</b>
				N/C contact	<b>538274</b>	<b>SIED-M12B-ZO-K-L</b>	<b>538273</b>	<b>SIED-M12B-ZO-S-L</b>
	4.0	Non-flush	Contactless, 2-wire	N/O contact	<b>538268</b>	<b>SIED-M12NB-ZS-K-L</b>	<b>538267</b>	<b>SIED-M12NB-ZS-S-L</b>
				N/C contact	<b>538270</b>	<b>SIED-M12NB-ZO-K-L</b>	<b>538269</b>	<b>SIED-M12NB-ZO-S-L</b>
<b>M18</b>								
	5.0	Flush	Contactless, 2-wire	N/O contact	<b>538280</b>	<b>SIED-M18B-ZS-K-L</b>	<b>538279</b>	<b>SIED-M18B-ZS-S-L</b>
				N/C contact	<b>538282</b>	<b>SIED-M18B-ZO-K-L</b>	<b>538281</b>	<b>SIED-M18B-ZO-S-L</b>
	8.0	Non-flush	Contactless, 2-wire	N/O contact	<b>538276</b>	<b>SIED-M18NB-ZS-K-L</b>	<b>538275</b>	<b>SIED-M18NB-ZS-S-L</b>
				N/C contact	<b>538278</b>	<b>SIED-M18NB-ZO-K-L</b>	<b>538277</b>	<b>SIED-M18NB-ZO-S-L</b>
<b>M30</b>								
	10.0	Flush	2-wire, contactless	N/O contact	<b>538288</b>	<b>SIED-M30B-ZS-K-L</b>	<b>538287</b>	<b>SIED-M30B-ZS-S-L</b>
				N/C contact	<b>538290</b>	<b>SIED-M30B-ZO-K-L</b>	<b>538289</b>	<b>SIED-M30B-ZO-S-L</b>
	15.0	Non-flush	2-wire, contactless	N/O contact	<b>538284</b>	<b>SIED-M30NB-ZS-K-L</b>	<b>538283</b>	<b>SIED-M30NB-ZS-S-L</b>
				N/C contact	<b>538286</b>	<b>SIED-M30NB-ZO-K-L</b>	<b>538285</b>	<b>SIED-M30NB-ZO-S-L</b>

1) S<sub>n</sub> Rated operating distance [mm]

# Proximity sensors SIED-...-PA, inductive

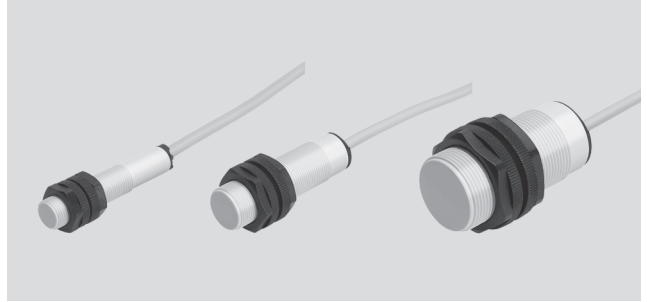
Technical data – Standard switching distance, polyamide housing, for DC and AC voltage

Function<sup>1)</sup>



1) e.g. N/O contact with cable

- Standard switching distance
- Corrosion-resistant
- Polyamide housing
- For DC and AC voltage
- Round design



General technical data	
Design	Round
Conforms to	EN 60947-5-2
Certification	cULus listed (OL)
	RCM trademark
CE mark (see declaration of conformity)	To EU EMC Directive <sup>1)</sup>
	To EU Low Voltage Directive
Note on materials	Free of copper and PTFE

1) For information about the applicability of the component see the manufacturer's EC declaration of conformity at: [www.festo.com/sp](http://www.festo.com/sp) → User documentation.  
If the component is subject to restrictions on usage in residential, office or commercial environments or small businesses, further measures to reduce the emitted interference may be necessary.

Input signal/measuring element		
Ambient temperature	[°C]	-25 ... +70

Output, general							
Mounting type	Flush			Non-flush			
	Size	M12	M18	M30	M12	M18	M30
Repetition accuracy	[mm]	0.04	0.1	0.2	0.08	0.16	0.3

Switching output							
Mounting type	Flush			Non-flush			
	Size	M12	M18	M30	M12	M18	M30
Switching output	Contactless, 2-wire			Contactless, 2-wire			
Switching element function	N/O contact			N/O contact			
Rated operating distance	[mm]	2	5	10	4	8	15
Assured switching distance	[mm]	1.62	4.05	8.1	3.24	6.48	12.15

Reduction factors						
Aluminium	0.35 ... 0.5			0.35 ... 0.5		
Stainless steel St 18/8	0.06 ... 0.1			0.06 ... 0.1		
Copper	0.25 ... 0.45			0.25 ... 0.45		
Brass	0.35 ... 0.5			0.35 ... 0.5		
Steel St 37	1.0			1.0		

Hysteresis	[mm]	0.06 ... 0.3	0.15 ... 0.75	0.3 ... 1.5	0.12 ... 0.6	0.24 ... 1.2	0.45 ... 2.25
Max. switching frequency AC	[Hz]	20			20		
Max. switching frequency DC	[Hz]	60			60		
Max. output current	[mA]	100	300	300	100	300	300
Minimum load current	[mA]	3			3		
Voltage drop	[V]	≤ 6			≤ 6		

Output, additional data	
Protection against short circuit	No

# Proximity sensors SIED-...-PA, inductive

Technical data – Standard switching distance, polyamide housing, for DC and AC voltage

Electronic components		
Operating voltage range AC	[V AC]	20 ... 250
Operating voltage range DC	[V DC]	10 ... 300
Idle current	[mA]	≤ 1.5
Reverse polarity protection		For all electrical connections

Electromechanical components	
Electrical connection	Cable, 2-wire
Cable length	[m] 2.5
Cable sheath material	PVC
Insulating sheath material	PVC

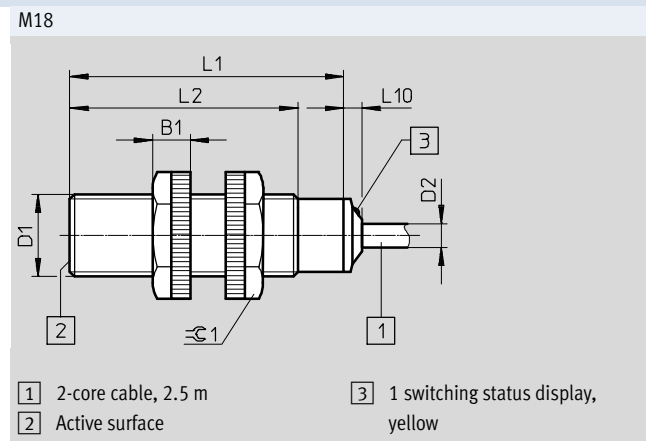
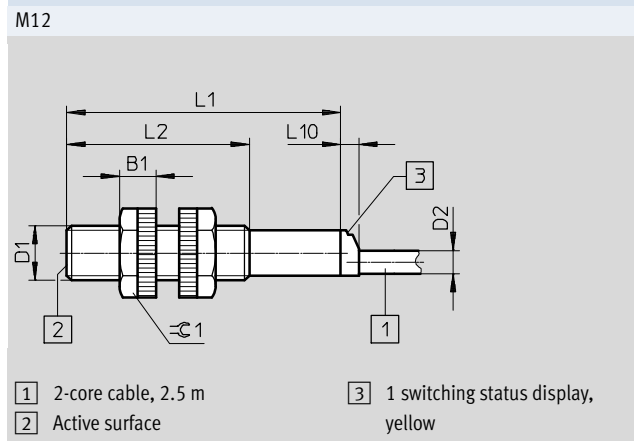
Mechanical components			
Size	M12	M18	M30
Attachment type	Via lock nut		
Mounting type	Flush		
Tightening torque	[Nm] 1	2	5
Product weight	[g] 109	123	175
Housing material	PA-reinforced		

Display/operation	
Switching status display	Yellow LED

Immissions/emissions	
Ambient temperature with flexible cable installation	[°C] 0 ... +70
Protection class	IP65, IP67
Corrosion resistance class CRC <sup>1)</sup>	4

1) Corrosion resistance class CRC 4 to Festo standard FN 940070  
 Particularly high corrosion stress. Outdoor exposure under extreme corrosive conditions. Parts exposed to aggressive media, for instance in the chemical or food industries. These applications may need to be supported by special tests (→ also FN 940082) using appropriate media.

## Dimensions Download CAD data → [www.festo.com](http://www.festo.com)



Type	B1	D1	D2	L1	L2	L10	∅ 1
SIED-M12-...-B-ZS-...-K-L-PA	8	M12x1	5	60	40	4	17
SIED-M18-...-B-ZS-...-K-L-PA	8.2	M18x1	5.2	60	50	4	24



# Proximity sensors SIED-...-PA, inductive

Technical data – Standard switching distance, polyamide housing, for DC and AC voltage

**Dimensions** Download CAD data → [www.festo.com](http://www.festo.com)

M30

- 1 2-core cable, 2.5 m
- 2 Active surface
- 3 1 switching status display, yellow

Type	B1	D1	D2	L1	L2	L10	⌀ 1
SIED-M30-...-B-ZS-...-K-L-PA	10	M30x1.5	5	60	50	4	36

**Fitting instructions**

**Flush fitting**

- 2 Active surface
- 5 Metal-free zone

**Non-flush fitting**

- 2 Active surface
- 5 Metal-free zone

Size	B1	B2	H
M12	18	24	6
M18	27	36	15
M30	45	60	30

Size	B1	B2	H1	H2
M12	18	36	8	12
M18	27	54	16	24
M30	45	90	30	45

**Ordering data**

Size	S <sub>n</sub> <sup>1)</sup> [mm]	Mounting type	Switching output	Switching element function	Electrical connection	
					Part No.	Type
 M12	2.0	Flush	Contactless, 2-wire	N/O contact	538336	SIED-M12B-ZS-K-L-PA
	4.0	Non-flush			538335	SIED-M12NB-ZS-K-L-PA
 M18	5.0	Flush	Contactless, 2-wire	N/O contact	538338	SIED-M18B-ZS-K-L-PA
	8.0	Non-flush			538337	SIED-M18NB-ZS-K-L-PA
 M30	10.0	Flush	Contactless, 2-wire	N/O contact	538340	SIED-M30B-ZS-K-L-PA
	15.0	Non-flush			538339	SIED-M30NB-ZS-K-L-PA

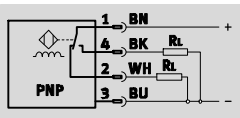
1) S<sub>n</sub> Rated operating distance [mm]

# Proximity sensors SIES, inductive

Technical data – Standard switching distance, special design

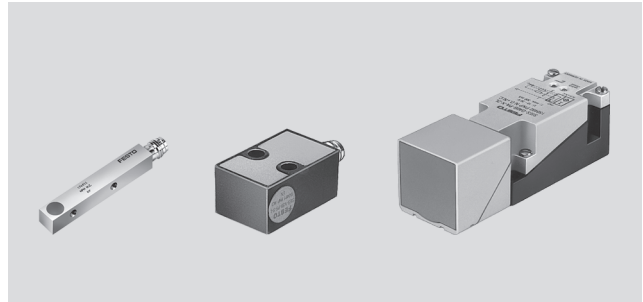


Function<sup>1)</sup>



- Standard switching distance
- For DC voltage
- Block-shaped design

1) e.g. antivalent with PNP output and terminals



General technical data					
Type	SIES-Q5	SIES-Q8	SIES-V3	SIES-QB	SIES-Q40
Conforms to	EN 60947-5-2				
Certification	cULus listed (OL)				
	RCM trademark				
CE mark (see declaration of conformity)	To EU EMC Directive <sup>1)</sup>				
Note on materials	Free of copper and PTFE				
	-			RoHS-compliant	-

1) For information about the applicability of the component see the manufacturer's EC declaration of conformity at: [www.festo.com/sp](http://www.festo.com/sp) → User documentation.  
If the component is subject to restrictions on usage in residential, office or commercial environments or small businesses, further measures to reduce the emitted interference may be necessary.

Input signal/measuring element					
Type	SIES-Q5	SIES-Q8	SIES-V3	SIES-QB	SIES-Q40
Size [mm]	5x5x25	8x8x40	15x20x30	12x26x40	40x40x120
Ambient temperature [°C]	-25 ... +70		-25 ... +85		

Output, general					
Type	SIES-Q5	SIES-Q8	SIES-V3	SIES-QB	SIES-Q40
Size [mm]	5x5x25	8x8x40	15x20x30	12x26x40	40x40x120
Repetition accuracy [mm]	0.04	0.07	0.1	0.1	0.75

Switching output					
Type	SIES-Q5	SIES-Q8	SIES-V3	SIES-QB	SIES-Q40
Size [mm]	5x5x25		8x8x40		40x40x120
	8x8x40		15x20x30		12x26x40
Switching output	PNP		PNP		PNP
	NPN		NPN		-
Switching element function	N/O contact		N/O contact		Antivalent
	N/C contact		-		
Rated operating distance [mm]	0.8	1.5	2		15
Assured switching distance [mm]	0.64	1.2	1.6		12
Reduction factors					
Aluminium	0.4	0.45	0.45		0.3
Stainless steel St 18/8	0.7	0.8	0.7	0.8	0.7
Copper	0.3	0.4	0.3	0.35	0.25
Brass	0.4	0.55	0.5		0.3
Steel St 37	1.0		1.0		1.0
Max. switching frequency DC [Hz]	3000	3500	1200		100
Max. output current [mA]	200		-		-
Max. output current at ≤ 50 °C [mA]	-		200		200
Max. output current at ≤ 85 °C [mA]	-		150		150
Voltage drop [V]	≤ 2		≤ 3.2		≤ 3.5

# Proximity sensors SIES, inductive

Technical data – Standard switching distance, special design

Output, additional data	
Protection against short circuit	Pulsed

Electronic components						
Type		SIES-Q5	SIES-Q8	SIES-V3	SIES-QB	SIES-Q40
Size	[mm]	5x5x25	8x8x40	15x20x30	12x26x40	40x40x120
Operating voltage range	[V DC]	10 ... 30				10 ... 34
Residual ripple	[%]	10				
Idle current	[mA]	≤ 10		≤ 30		≤ 40
Reverse polarity protection		For all electrical connections				

Electromechanical components							
Electrical connection		Cable			Plug		
Type		SIES-Q5	SIES-Q8	SIES-QB	SIES-Q8	SIES-V3	SIES-Q40
Size	[mm]	5x5x25	8x8x40	12x26x40	8x8x40	15x20x30	40x40x120
Electrical connection		Cable, 3-wire			Plug, M8x1, 3-pin		Screw terminal
Cable length	[m]	2.5			-		-
Cable sheath material		TPE-U (PUR)			-		-

Mechanical components						
Type		SIES-Q5	SIES-Q8	SIES-V3	SIES-QB	SIES-Q40
Size	[mm]	5x5x25	8x8x40	15x20x30	12x26x40	40x40x120
Attachment type		Via female thread			Via through-hole	
Mounting type		Flush			Flush	
Product weight	[g]	22	15	120	170	230
Housing material		Nickel-plated brass	Chrome plated die-cast zinc	Die-cast zinc	PBT-reinforced	PBT, PA

Display/operation						
Type		SIES-Q5	SIES-Q8	SIES-V3	SIES-QB	SIES-Q40
Size	[mm]	5x5x25	8x8x40	15x20x30	12x26x40	40x40x120
Ready status display		-				Green LED
Switching status display		Yellow LED				Yellow LED

Immissions/emissions						
Type		SIES-Q5	SIES-Q8	SIES-V3	SIES-QB	SIES-Q40
Size	[mm]	5x5x25	8x8x40	15x20x30	12x26x40	40x40x120
Protection class		IP67				IP65

Pin allocation to EN 60947-5-2			
M8x1, 3-pin			
N/O contact and N/C contact			
	Pin	Wire colour	Allocation
	1	Brown	+
	3	Blue	-
	4	Black	Output

# Proximity sensors SIES, inductive

Technical data – Standard switching distance, special design

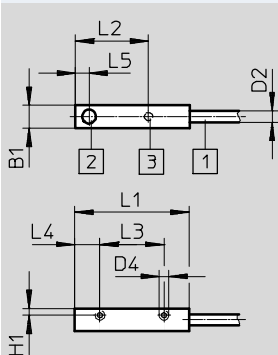


Download CAD data → [www.festo.com](http://www.festo.com)

## Dimensions

SIES-Q5B

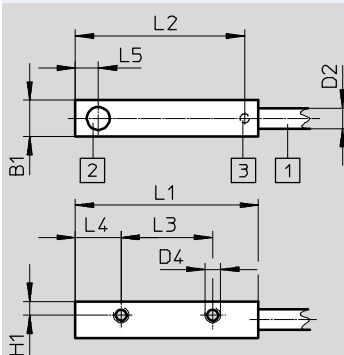
Cable



- 1 3-core cable, 2.5 m
- 2 Active surface
- 3 1 switching status display, yellow

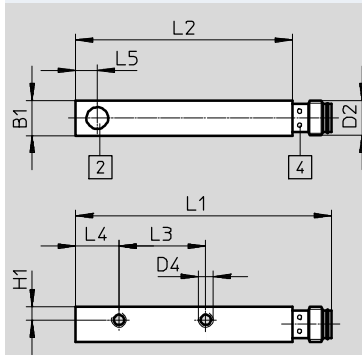
SIES-Q8B

Cable



- 1 3-core cable, 2.5 m
- 2 Active surface
- 3 1 switching status display, yellow

Plug



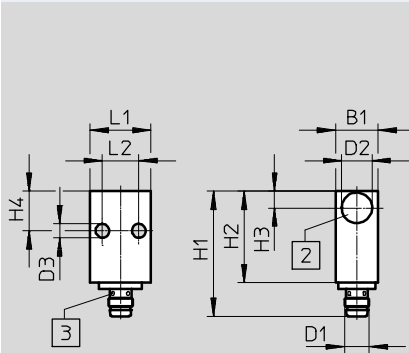
- 2 Active surface
- 4 4 switching status displays, yellow

Type	B1	D2 Ø	D2	D4	H1	L1	L2	L3	L4	L5
SIES-Q5B-...-K-L	5	2.5	-	M1.6	1.5	25	16	14	5.5	3
SIES-Q8B-...-K-L	8	3.5	-	M3	3	40	37	20	10	5
SIES-Q8B-...-S-L	8	-	M8x1	M3	3	59	50	20	10	5

## Dimensions

SIES-V3B

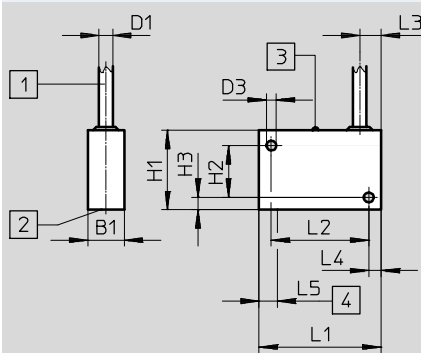
Plug



- 2 Active surface
- 3 4 switching status display, yellow

SIES-QB

Cable



- 1 3-core cable, 2.5 m
- 2 Active surface
- 3 1 switching status display, yellow
- 4 Sensor centre

Download CAD data → [www.festo.com](http://www.festo.com)

Type	B1	D1 Ø	D1	D2 Ø	D3 Ø	H1	H2	H3	H4	L1	L2	L3	L4	L5
SIES-V3B-...-S-S-L	15	-	M8x1	10	4.5	42	30	5.5	13	20	12	-	-	-
SIES-QB-P-...-K-L	12	4.5	-	-	3.2	26	17	4	-	40	32	6.5	4	6

# Proximity sensors SIES, inductive

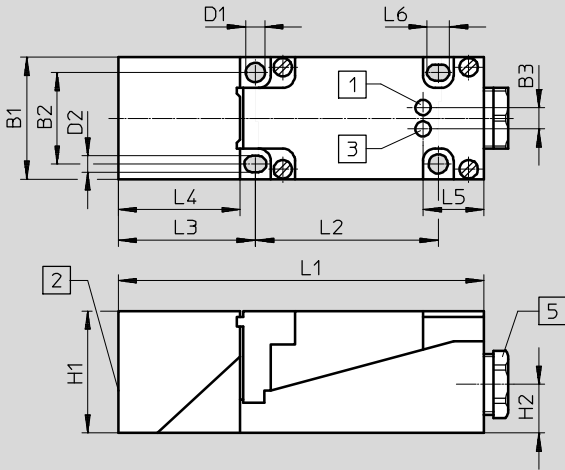
Technical data – Standard switching distance, special design

## Dimensions

Download CAD data → [www.festo.com](http://www.festo.com)

SIES-Q40B

Plug

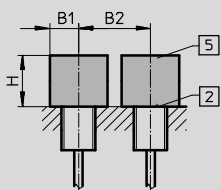


- 1 Green operational status indicator
- 2 Supplied with active surface facing forward: sensor head can be adjusted to any one of 5 response directions
- 3 Switching status display LED (yellow)
- 5 M20x1.5, suitable for cable diameter 7.5 mm to 12.5 mm

Type	B1	B2	B3	D1	D2	H1	H2	L1	L2	L3	L4	L5	L6
SIE-Q40B-PA-X-2L	40	30	7	5.3	5.3	40	16	120	60	45	40	20	7.3

## Fitting instructions

Flush fitting


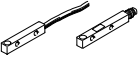

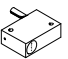
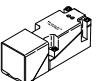


- 2 Active surface
- 5 Metal-free zone

Size	B1	B2	H
5x5x25	2.5	5	2
8x8x40	4	12	3
15x20x30	6	12	5
12x26x40	6	12	5
40x40x120	25	75	30

# Proximity sensors SIES, inductive

Technical data – Standard switching distance, special design

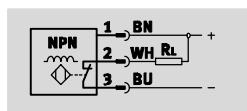
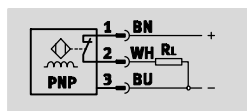
Ordering data								
Size [mm]	S <sub>n</sub> <sup>1)</sup> [mm]	Mounting type	Switching output	Switching element function	Electrical connection			
					Cable		Plug	
					Part No.	Type	Part No.	Type
<b>5x5x25</b>								
	0.8	Flush	PNP	N/O contact	<b>178291</b>	<b>SIES-Q5B-PS-K-L</b>		-
				N/C contact	<b>174549</b>	<b>SIES-Q5B-PO-K-L</b>		
			NPN	N/O contact	<b>178290</b>	<b>SIES-Q5B-NS-K-L</b>		
				N/C contact	<b>174548</b>	<b>SIES-Q5B-NO-K-L</b>		
<b>8x8x40</b>								
	1.5	Flush	PNP	N/O contact	<b>178294</b>	<b>SIES-Q8B-PS-K-L</b>	<b>178295</b>	<b>SIES-Q8B-PS-S-L</b>
				N/C contact	<b>174552</b>	<b>SIES-Q8B-PO-K-L</b>	<b>174553</b>	<b>SIES-Q8B-PO-S-L</b>
			NPN	N/O contact	<b>178292</b>	<b>SIES-Q8B-NS-K-L</b>	<b>178293</b>	<b>SIES-Q8B-NS-S-L</b>
				N/C contact	<b>174550</b>	<b>SIES-Q8B-NO-K-L</b>	<b>174551</b>	<b>SIES-Q8B-NO-S-L</b>
<b>15x20x30</b>								
	2.0	Flush	PNP	N/O contact	-		<b>150491</b>	<b>SIES-V3B-PS-S-L</b>
			NPN				<b>150490</b>	<b>SIES-V3B-NS-S-L</b>
<b>12x26x40</b>								
	2.0	Flush	PNP	N/O contact	<b>150488</b>	<b>SIES-QB-PS-K-L</b>		-
				N/C contact	<b>150489</b>	<b>SIES-QB-PO-K-L</b>		
<b>40x40x120</b>								
	15.0	Flush	PNP	Antivalent	-		<b>150492</b>	<b>SIES-Q40B-PA-X-2L<sup>2)</sup></b>

1) S<sub>n</sub> Rated operating distance [mm]  
 2) Electrical connection via screw terminals

# Proximity sensors SIEH, inductive

Technical data – Increased switching distance

Function



- Increased switching distance
- For DC voltage
- Round design



General technical data			
Size	3 mm	M12	M18
Design	Round	–	–
Conforms to	EN 60947-5-2	EN 60947-5-2	EN 60947-5-2
Certification	cULus listed (OL)	cULus listed (OL)	cULus listed (OL)
	RCM trademark	C-Tick	RCM trademark
CE mark (see declaration of conformity)	To EU EMC Directive <sup>1)</sup>	To EU EMC Directive <sup>1)</sup>	To EU EMC Directive <sup>1)</sup>
Note on materials	Free of copper and PTFE	Free of copper and PTFE	Free of copper and PTFE
	–	–	RoHS-compliant

1) For information about the applicability of the component see the manufacturer's EC declaration of conformity at: [www.festo.com/sp](http://www.festo.com/sp) → User documentation.  
If the component is subject to restrictions on usage in residential, office or commercial environments or small businesses, further measures to reduce the emitted interference may be necessary.

Input signal/measuring element			
Size	3 mm	M12	M18
Ambient temperature	[°C]	–25 ... +70	

Output, general			
Size	3 mm	M12	M18
Repetition accuracy	[mm]	0.02	0.4
Repetition accuracy under constant conditions	[mm]	–	0.2

Switching output			
Size	3 mm	M12	M18
Switching output	PNP	PNP	PNP
	NPN	NPN	NPN
Switching element function	N/O contact	N/C contact	N/O contact
	–	N/C contact	N/C contact
Rated operating distance	[mm]	1	4
Assured switching distance	[mm]	0.81	3.24
Reduction factors			
Aluminium		0.5	0.4
Stainless steel St 18/8		0.8	0.8
Copper		0.45	0.4
Brass		0.6	0.5
Steel St 37		1.0	1.0
Hysteresis	[mm]	≤ 0.12	≤ 0.36
Switch-on time	[ms]	0.02	–
Max. switching frequency	[Hz]	3,000	2,500
Max. output current	[mA]	100	200
Voltage drop	[V]	0 ... 2	–

# Proximity sensors SIEH, inductive

Technical data – Increased switching distance

Output, additional data			
Size	3 mm	M12	M18
Protection against short circuit	Pulsed	Pulsed	Pulsed
Inductive protective circuit	Integrated	Integrated	–
	Output current < 100 mA		
	and switching frequency < 10 Hz		

Electronic components			
Size	3 mm	M12	M18
Operating voltage range [V DC]	10 ... 30		
Residual ripple [%]	20	±10	±20
Idle current [mA]	0 ... 10		
Reverse polarity protection	For all electrical connections		

Electromechanical components						
Electrical connection	Cable			Plug		
Size	3 mm	M12	M18	3 mm	M12	M18
Electrical connection	Cable, 3-wire			Cable with plug, M8x1, 3-pin	Plug, M12x1, 3-pin	
Cable length [m]	2.5			0.15	–	
Cable sheath material	TPE-U (PUR)			TPE-U (PUR)		
Insulating sheath material	PVC	–	–	PVC	–	

Mechanical components						
Electrical connection	Cable			Plug		
Size	3 mm	M12	M18	3 mm	M12	M18
Attachment type	Clamped	Via lock nut		Clamped	Via lock nut	
Mounting type	Flush			Flush		
Tightening torque [Nm]	–	–	20	–	–	20
Product weight [g]	18	110	108	4	30	43
Housing material	High-alloy stainless steel	Nickel-plated brass		High-alloy stainless steel	Nickel-plated brass	
		PBTP			PBTP	
		–			PA	

Display/operation	
Switching status display	Yellow LED

Immissions/emissions						
Electrical connection	Cable			Plug		
Size	3 mm	M12	M18	3 mm	M12	M18
Ambient temperature with flexible cable installation [°C]	–5 ... +70			–5 ... +70		
Protection class	–	IP65	–	–	IP65	–
	IP67			IP67		
Surge strength [kV]	–	–	0.8	–	–	0.8
Corrosion resistance class CRC <sup>1)</sup>	4	2	–	1	2	–
Degree of contamination	–	–	3	–	–	3

1) Corrosion resistance class CRC 1 to Festo standard FN 940070  
 Low corrosion stress. For dry indoor applications or transport and storage protection. Also applies to parts behind covers, in the non-visible interior area, and parts which are covered in the application (e.g. drive trunnions).  
 Corrosion resistance class CRC 2 to Festo standard FN 940070  
 Moderate corrosion stress. Indoor applications in which condensation may occur. External visible parts with primarily decorative requirements for the surface and which are in direct contact with the ambient atmosphere typical for industrial applications.  
 Corrosion resistance class CRC 4 to Festo standard FN 940070  
 Particularly high corrosion stress. Outdoor exposure under extreme corrosive conditions. Parts exposed to aggressive media, for instance in the chemical or food industries. These applications may need to be supported by special tests (→ also FN 940082) using appropriate media.



# Proximity sensors SIEH, inductive

Technical data – Increased switching distance

Pin allocation to EN 60947-5-2			
M8x1, 3-pin			
N/O contact			
	Pin	Wire colour	Allocation
	1	Brown	+
	3	Blue	-
	4	Black	Output
M12x1, 3-pin			
N/O contact			
	Pin	Wire colour	Allocation
	1	Brown	+
	3	Blue	-
	4	Black	Output
N/C contact			
	Pin	Wire colour	Allocation
	1	Brown	+
	3	Blue	-
	2	White	Output

## Dimensions – 3 mm Download CAD data → [www.festo.com](http://www.festo.com)

Cable	Plug
-------	------

- 1 3-core cable, 2.5 m
- 2 Active surface
- 3 1 switching status display, yellow

Type	D1 ∅	D2 ∅	D3	L1	L2	L3
SIEH-3B-...-S-K-L	3	2.6	-	22	-	16
SIEH-3B-...-S-S-L	3	2.6	M8x1	22	150	16

## Dimensions – M12 Download CAD data → [www.festo.com](http://www.festo.com)

Cable	Plug
-------	------

- 1 3-core cable, 2.5 m
- 2 Active surface
- 3 1 switching status display, yellow
- 4 4 switching status display, yellow

Type	B1	D1	D2 ∅	D2 ∅	D3 ∅	L1	L5	L6	L7	≈ 1
SIEH-M12B-...-K-L	4	M12x1	5	-	-	35	-	-	-	17
SIEH-M12B-...-S-L	4	M12x1	-	M12x1	10.5	45	11	5	3.3	17

# Proximity sensors SIEH, inductive

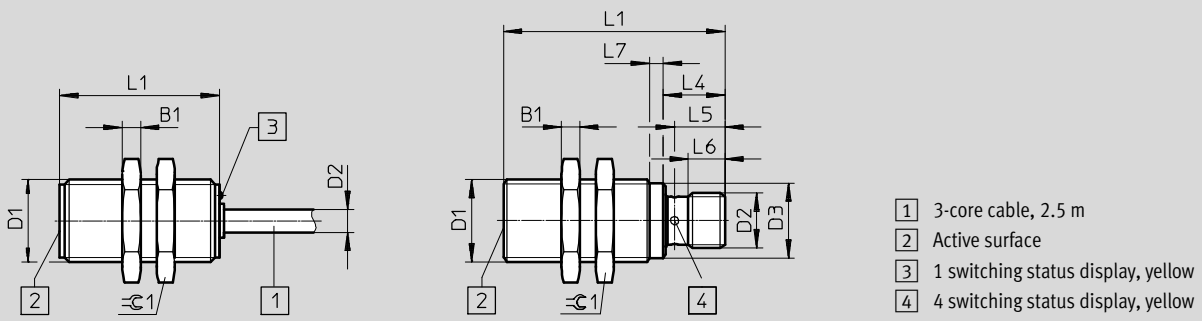
Technical data – Increased switching distance

## Dimensions – M18

Download CAD data → [www.festo.com](http://www.festo.com)

Cable

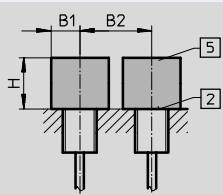
Plug



Type	B1	D1	D2 Ø	D2	D3 Ø	L1	L4	L5	L6	L7	≈C 1
SIEH-M18B-...-K-L	4	M18x1	5	–	–	35	–	–	–	–	24
SIEH-M18B-...-S-L	4	M18x1	–	M12x1	16.4	48.5	13.5	11	8	3	24

## Fitting instructions

Flush fitting



- 2 Active surface
- 5 Metal-free zone

Size	B1	B2	H
3 mm	2.5	5	3
M12	10	24	12
M18	18	40	24

## Ordering data

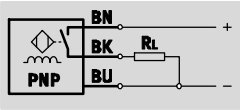
Size	S <sub>n</sub> <sup>1)</sup> [mm]	Mounting type	Switching output	Switching element function	Electrical connection			
					Cable		Plug	
					Part No.	Type	Part No.	Type
<b>3 mm</b>								
	1.0	Flush	PNP	N/O contact	<b>538264</b>	<b>SIEH-3B-PS-K-L</b>	<b>538263</b>	<b>SIEH-3B-PS-S-L</b>
				N/O contact	<b>538266</b>	<b>SIEH-3B-NS-K-L</b>	<b>538265</b>	<b>SIEH-3B-NS-S-L</b>
<b>M12</b>								
	4.0	Flush	PNP	N/O contact	<b>150450</b>	<b>SIEH-M12B-PS-K-L</b>	<b>150451</b>	<b>SIEH-M12B-PS-S-L</b>
				N/C contact	<b>150454</b>	<b>SIEH-M12B-PO-K-L</b>	<b>150455</b>	<b>SIEH-M12B-PO-S-L</b>
			NPN	N/O contact	<b>150448</b>	<b>SIEH-M12B-NS-K-L</b>	<b>150449</b>	<b>SIEH-M12B-NS-S-L</b>
				N/C contact	<b>150452</b>	<b>SIEH-M12B-NO-K-L</b>	<b>150453</b>	<b>SIEH-M12B-NO-S-L</b>
<b>M18</b>								
	7.0	Flush	PNP	N/O contact	<b>150458</b>	<b>SIEH-M18B-PS-K-L</b>	<b>150459</b>	<b>SIEH-M18B-PS-S-L</b>
				N/C contact	<b>150462</b>	<b>SIEH-M18B-PO-K-L</b>	<b>150463</b>	<b>SIEH-M18B-PO-S-L</b>
			NPN	N/O contact	<b>150456</b>	<b>SIEH-M18B-NS-K-L</b>	<b>150457</b>	<b>SIEH-M18B-NS-S-L</b>
				N/C contact	<b>150460</b>	<b>SIEH-M18B-NO-K-L</b>	<b>150461</b>	<b>SIEH-M18B-NO-S-L</b>

1) S<sub>n</sub> Rated operating distance [mm]

# Proximity sensors SIEH...-CR, inductive

Technical data – Increased switching distance

Function<sup>1)</sup>



1) e.g. N/O contact with PNP output and cable

- Increased switching distance
- For DC voltage
- Round design
- Resistant to chemicals and mechanical stress



General technical data				
Size	M12		M18	
Switching output	PNP	NPN	PNP	NPN
Conforms to	EN 60947-5-2		EN 60947-5-2	
Certification	cULus listed (OL)	-	cULus listed (OL)	-
	RCM trademark		RCM trademark	
CE mark (see declaration of conformity)	To EU EMC Directive <sup>1)</sup>		To EU EMC Directive <sup>1)</sup>	
Note on materials	Free of copper and PTFE		Free of copper and PTFE	

1) For information about the applicability of the component see the manufacturer's EC declaration of conformity at: [www.festo.com/sp](http://www.festo.com/sp) → User documentation.  
If the component is subject to restrictions on usage in residential, office or commercial environments or small businesses, further measures to reduce the emitted interference may be necessary.

Input signal/measuring element		
Ambient temperature	[°C]	-25 ... +70

Output, general		
Size	M12	M18
Reproducibility, switching value FS	[mm]	0.3
		0.5

Switching output				
Size	M12		M18	
Switching output	PNP	NPN	PNP	NPN
Switching output	PNP		PNP	
	NPN		NPN	
Switching element function	N/O contact		N/O contact	
Rated operating distance	[mm]	6	10	
Assured switching distance	[mm]	4.86	8.1	
Reduction factors				
Aluminium		1.0	1.0	
Stainless steel, 1 mm thick		0.45	0.4	
Stainless steel, 2 mm thick		0.9	0.8	
Copper		0.85	0.8	0.85
Brass		1.3	1.3	
Steel St 37		1.0	1.0	
Hysteresis	[mm]	≤ 0.73	≤ 1.22	
Max. switching frequency	[Hz]	600	200	
Max. output current	[mA]	200	200	
Voltage drop	[V]	2	≤ 2	2
				≤ 2

# Proximity sensors SIEH-...-CR, inductive

Technical data – Increased switching distance

Output, additional data	
Protection against short circuit	Pulsed
Inductive protective circuit	Integrated
	Output current < 100 mA
	and switching frequency < 10 Hz

Electronic components		
Switching output	PNP	NPN
Operating voltage range [V DC]	10 ... 30	10 ... 30
Residual ripple [%]	20	20
Idle current [mA]	< 12	≤ 17
Reverse polarity protection	For all electrical connections	For all electrical connections

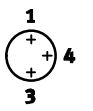
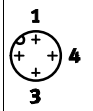
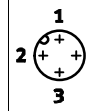
Electromechanical components		
Electrical connection	Cable	Plug
Electrical connection	Cable, 3-wire	Plug, M12x1, 3-pin
Cable sheath material	TPE-U (PUR)	-

Mechanical components				
Size	M12		M18	
Electrical connection	Cable	Plug	Cable	Plug
Size	M12		M18	
Attachment type	Via lock nut		Via lock nut	
Mounting type	Flush		Flush	
Product weight [g]	90	28	115	53
Housing material	High-alloy steel		High-alloy steel	

Display/operation	
Switching status display	Yellow LED

Immissions/emissions				
Size	M12		M18	
Switching output	PNP	NPN	PNP	NPN
Ambient temperature with flexible cable installation [°C]	-5 ... +70		-5 ... +70	
Protection class	IP67		IP67	
	IP69K		IP69K	
Corrosion resistance class CRC <sup>1)</sup>	2		2	
Resistance to sensor fitting pressure [bar]	80		60	

1) Corrosion resistance class CRC 2 to Festo standard FN 940070  
Moderate corrosion stress. Indoor applications in which condensation may occur. External visible parts with primarily decorative requirements for the surface and which are in direct contact with the ambient atmosphere typical for industrial applications.

Pin allocation to EN 60947-5-2												
M8x1, 3-pin				M12x1, 3-pin								N/C contact
N/O contact				N/O contact				N/C contact				
	Pin	Wire colour	Allocation		Pin	Wire colour	Allocation		Pin	Wire colour	Allocation	
	1	Brown	+		1	Brown	+		1	Brown	+	
	3	Blue	-		3	Blue	-		3	Blue	-	
	4	Black	Output		4	Black	Output		2	White	Output	

# Proximity sensors SIEH...-CR, inductive

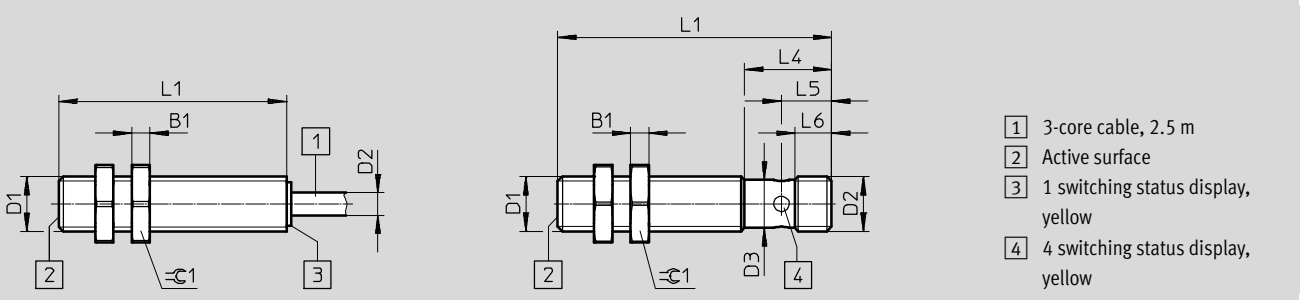
Technical data – Increased switching distance

## Dimensions – M12

Download CAD data → [www.festo.com](http://www.festo.com)

Cable

Plug



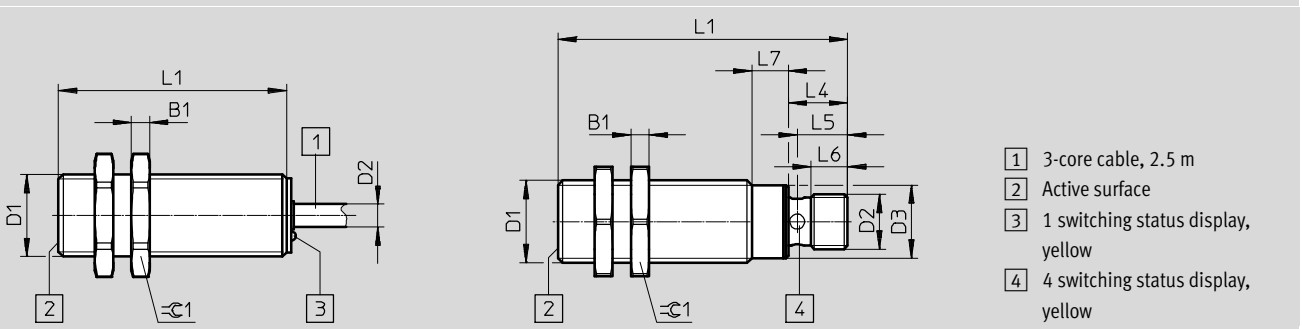
Type	B1	D1	D2 ∅	D2	D3 ∅	L1	L4	L5	L6	≈ 1
SIEH-M12B...-S-K-L-CR	4	M12x1	5	-	-	50	-	-	-	17
SIEH-M12B...-S-S-L-CR	4	M12x1	-	M12x1	10.5	60	19	11	8	17

## Dimensions – M18

Download CAD data → [www.festo.com](http://www.festo.com)

Cable

Plug



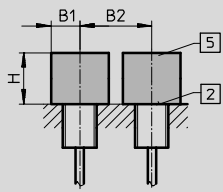
Type	B1	D1	D2 ∅	D2	D3 ∅	L1	L4	L5	L6	L7	≈ 1
SIEH-M18B...-S-K-L-CR	4	M18x1	5	-	-	50	-	-	-	-	24
SIEH-M18B...-S-S-L-CR	4	M18x1	-	M12x1	16	63.5	13	11	8	8	24

# Proximity sensors SIEH-...-CR, inductive

Technical data – Increased switching distance

## Fitting instructions



Flush fitting



- 2 Active surface
- 5 Metal-free zone

Size	B1	B2	H
M12	12	40	18
M18	25	60	30

## Ordering data

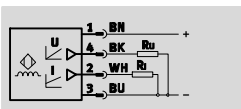
Size	S <sub>n</sub> <sup>1)</sup> [mm]	Mounting type	Switching output	Switching element function	Electrical connection			
					Cable		Plug	
					Part No.	Type	Part No.	Type
<b>M12</b>								
	6.0	Flush	PNP	N/O contact	<b>538252</b>	<b>SIEH-M12B-PS-K-L-CR</b>	<b>538251</b>	<b>SIEH-M12B-PS-S-L-CR</b>
			NPN	N/O contact	<b>538254</b>	<b>SIEH-M12B-NS-K-L-CR</b>	<b>538253</b>	<b>SIEH-M12B-NS-S-L-CR</b>
<b>M18</b>								
	10.0	Flush	PNP	N/O contact	<b>538256</b>	<b>SIEH-M18B-PS-K-L-CR</b>	<b>538255</b>	<b>SIEH-M18B-PS-S-L-CR</b>
			NPN	N/O contact	<b>538258</b>	<b>SIEH-M18B-NS-K-L-CR</b>	<b>538257</b>	<b>SIEH-M18B-NS-S-L-CR</b>

1) S<sub>n</sub> Rated operating distance [mm]

# Proximity sensors SIEA, inductive

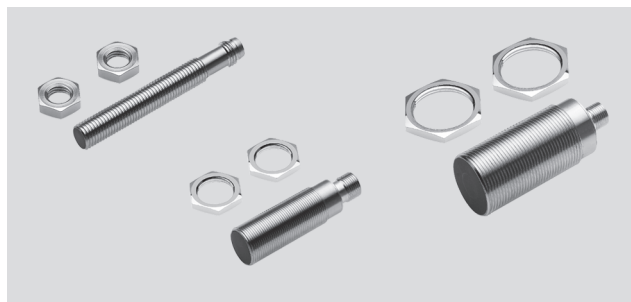
Technical data – Analogue output

Function<sup>1)</sup>



1) e.g. with analogue output for current and voltage

- Analogue output
- For DC voltage
- Round design



General technical data	
Design	Round
Certification	cULus listed (OL) RCM trademark
CE mark (see declaration of conformity)	To EU EMC Directive <sup>1)</sup>
Note on materials	Free of copper and PTFE

1) For information about the applicability of the component see the manufacturer's EC declaration of conformity at: [www.festo.com/sp](http://www.festo.com/sp) → User documentation.  
If the component is subject to restrictions on usage in residential, office or commercial environments or small businesses, further measures to reduce the emitted interference may be necessary.

Input signal/measuring element					
Size		M8	M12	M18	M30
Ambient temperature	[°C]	-25 ... +70		-25 ... +70	
Position measuring range	[mm]	0 ... 4	0 ... 6	0 ... 10	0 ... 20
Distance resolution	[mm]	0.001		0.002	0.005
Temperature drift of real switching distance	[%]	≤ ±10 (-25 ... 0 °C)		≤ ±10	
	[%]	≤ ±5 (0 ... 70 °C)			

Output, general					
Size		M8	M12	M18	M30
Repetition accuracy	[mm]	0.3		0.3	
Repetition accuracy under constant conditions	[mm]	±0.01		±0.02	±0.05

Switching output					
Size		M8	M12	M18	M30
Analogue output	[V]	0 ... 10	0 ... 10	0 ... 10	0 ... 10
	[mA]	-	4 ... 20	4 ... 20	4 ... 20
Output voltage at 23 °C	[V]	+10/±0.4 (s = 4 mm)	+10/±0.4 (s = 6 mm)	+10/±0.4 (s = 10 mm)	+10/±0.4 (s = 20 mm)
	[V]	+5.2/±0.4 (s = 2 mm)	+5.2/±0.4 (s = 3 mm)	+5.2/±0.4 (s = 5 mm)	+5.2/±0.4 (s = 10 mm)
	[V]	0/-0 +0.4 (s = 0 mm)	0/-0 +0.4 (s = 0 mm)	0/-0 +0.4 (s = 0 mm)	0/-0 +0.4 (s = 0 mm)
Output current at 23 °C	[mA]	-	20/±0.8 (s = 6 mm)	20/±0.8 (s = 10 mm)	20/±0.8 (s = 20 mm)
	[mA]	-	4/±0.8 (s = 0 mm)	4/±0.8 (s = 0 mm)	4/±0.8 (s = 0 mm)

Reduction factors					
Aluminium		0.28	0.28	0.18	0.2
Stainless steel St 18/8		0.68	0.47	0.6	0.65
Copper		0.25	0.2	0.15	0.17
Brass		0.4	0.35	0.28	0.3
Steel St 37		1.0	1.0	1.0	1.0

# Proximity sensors SIEA, inductive

Technical data – Analogue output

Switching output		M8	M12	M18	M30
Max. switching frequency DC	[Hz]	1,600	1,000	500	200
Bandwidth	[Hz]	1,600 (-3 dB at s = 2 mm)	1,000 (-3 dB at s = 3 mm)	500 (-3 dB at s = 5 mm)	200 (-3 dB at s = 10 mm)
Max. load at analogue current output	[Ω]	-	500	500	500
Max. load current at analogue voltage output	[mA]	10	10	10	10
Max. current/voltage output value without object	[%]	120	120	120	120

Output, additional data	
Protection against short circuit	Pulsed
Protection against overloading	Yes

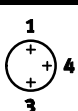
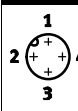
Electronic components	
Operating voltage range	[V DC] 15 ... 30
Residual ripple	[%] 20
Idle current	[mA] ≤ 10
Reverse polarity protection	For operating voltage

Electromechanical components		M8	M12	M18	M30
Electrical connection		Plug, M8x1, 3-pin	Plug, M12x1, 4-pin		

Mechanical components		M8	M12	M18	M30
Attachment type		Via lock nut			
Mounting type		Flush			
Tightening torque	[Nm]	4	10	25	70
Product weight	[g]	25	33	55	155
Housing material		Chrome-plated brass			

Immissions/emissions	
Protection class	IP67
Corrosion resistance class CRC <sup>1)</sup>	2

1) Corrosion resistance class CRC 2 to Festo standard FN 940070  
Moderate corrosion stress. Indoor applications in which condensation may occur. External visible parts with primarily decorative requirements for the surface and which are in direct contact with the ambient atmosphere typical for industrial applications.

Pin allocation			
M8x1, 3-pin		M12x1, 4-pin	
	Pin	Wire colour	Allocation
	1	Brown	+
	3	Blue	-
	4	Black	Voltage
	1	Brown	+
	2	White	Current
	3	Blue	-
	4	Black	Voltage



# Proximity sensors SIEA, inductive

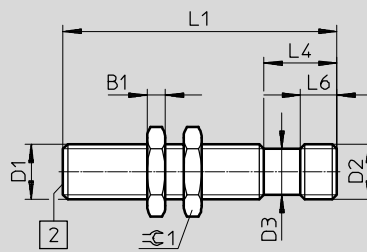
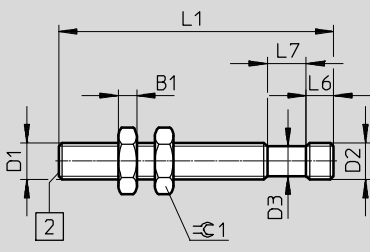
Technical data – Analogue output

## Dimensions

Download CAD data → [www.festo.com](http://www.festo.com)

M8

M12

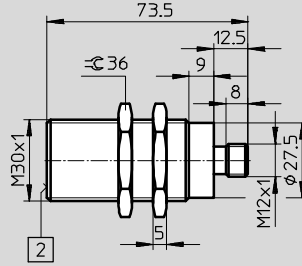
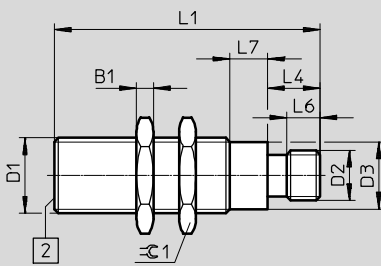


2 Active surface

Type	B1	D1	D2 Ø	D2 Ø	D3 Ø	L1	L4	L6	L7	1
SIEA-M8B-PU-S	4	M8x1	-	M8x1	6.5	60	-	6	8.5	13
SIEA-M12B-UI-S	4	M12x1	-	M12x1	10.5	60	16	8	-	17

M18

M30



2 Active surface

Type	B1	D1	D2	D3 Ø	L1	L4	L6	L7	1
SIEA-M18B-UI-S	4	M18x1	M12x1	16	63.5	12.5	8	9	24
SIEA-M30B-UI-S	5	M30x1.5	M12x1	27.5	73.5	12.5	8	9	36

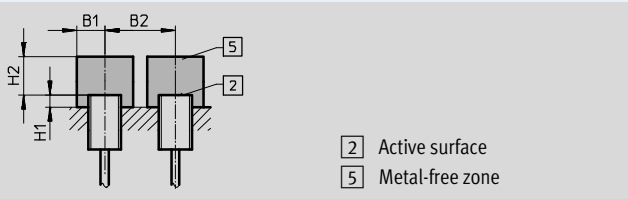
# Proximity sensors SIEA, inductive

Technical data – Analogue output



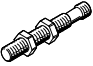
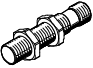
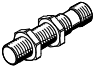

## Fitting instructions

Flush fitting



Size	B1	B2	H1	H2
M8	8	20	1	12
M12	12	30	2	18
M18	19	44	4	30
M30	35	80	6	60

## Ordering data

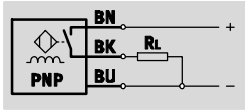
Size	S <sup>1)</sup> [mm]	Mounting type	Analogue output		Electrical connection	
					Plug	Part No. Type
<b>M8</b>						
	0 ... 4	Flush	0 ... 10 V	–	<b>538291</b>	<b>SIEA-M8B-PU-S</b>
<b>M12</b>						
	0 ... 6	Flush	0 ... 10 V	4 ... 20 mA	<b>538292</b>	<b>SIEA-M12B-UI-S</b>
<b>M18</b>						
	0 ... 10	Flush	0 ... 10 V	4 ... 20 mA	<b>538293</b>	<b>SIEA-M18B-UI-S</b>
<b>M30</b>						
	0 ... 20	Flush	0 ... 10 V	4 ... 20 mA	<b>538294</b>	<b>SIEA-M30B-UI-S</b>

1) S Position measuring range [mm]

# Proximity sensors SIEF, inductive

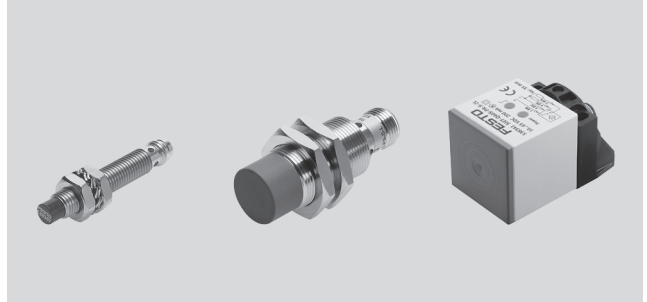
Technical data – Increased switching distance, reduction factor 1, welding field immune

Function<sup>1)</sup>



1) e.g. N/O contact with PNP output and cable

- Standard switching distance
- Reduction factor 1 for all metals
- For DC voltage
- Round design



General technical data										
Mounting type	Flush					Partially flush				
Size	M8	M12	M18	M30	M8	M12	M18	M30	Q40	
Design	Round					Round				Block-shaped
Conforms to	EN 60947-5-2					EN 60947-5-2				
Certification	cULus listed (OL)					cULus listed (OL)				
	RCM trademark					RCM trademark				
CE mark (see declaration of conformity)	To EU EMC Directive <sup>1)</sup>					To EU EMC Directive <sup>1)</sup>				
Note on materials	Free of copper and PTFE					Free of copper and PTFE				
	RoHS-compliant					–				

1) For information about the applicability of the component see the manufacturer's EC declaration of conformity at: [www.festo.com/sp](http://www.festo.com/sp) → User documentation.  
If the component is subject to restrictions on usage in residential, office or commercial environments or small businesses, further measures to reduce the emitted interference may be necessary.

Input signal/measuring element										
Mounting type	Flush					Partially flush				
Electrical connection	Cable				Plug	Cable			Plug	
Ambient temperature	[°C]	–30 ... +70			–30 ... +85	–30 ... +85				

Output, general										
Mounting type	Flush					Partially flush				
Size	M8	M12	M18	M30	M8	M12	M18	M30	Q40	
Repetition accuracy	[mm]	0.08	0.16	0.28	0.55	0.08	0.16	0.24	0.4	0.7

Switching output											
Mounting type	Flush					Partially flush					
Size	M8	M12	M18	M30	M8	M12	M18	M30	Q40		
Switching output	PNP					PNP					
	NPN					NPN					
Switching element function	N/O contact					N/O contact				Antivalent	
Rated operating distance	[mm]	1.5	3	5	10	4	8	12	20	35	
Assured switching distance	[mm]	–	–	–	–	3.24	6.48	9.72	16.2	28.35	
Reduction factors											
Aluminium	–					1.0					
Stainless steel St 18/8						1.0					
Copper						1.0					
Brass						1.0					
Steel St 37						1.0					
Hysteresis	[mm]	–					0.12...0.6	0.24...1.2	0.36...1.8	0.36...1.8	1.05...5.25
Max. switching frequency DC	[Hz]	2,000	3,000	2,500	2,000	2,000	2,000	2,000	1,500	250	
Max. output current	[mA]	150	200				150	200			
Voltage drop	[V]	–					≤ 1.8				

# Proximity sensors SIEF, inductive



Technical data – Increased switching distance, reduction factor 1, welding field immune

Output, additional data	
Protection against short circuit	Pulsed

Electronic components										
Mounting type	Flush				Partially flush					
Size	M8	M12	M18	M30	M8	M12	M18	M30	Q40	
Operating voltage range [V DC]	10 ... 30				10 ... 30					10 ... 65
Residual ripple [%]	–				10					10
Idle current [mA]	–				≤ 15					≤ 15
Reverse polarity protection	For all electrical connections				For all electrical connections					

Electromechanical components										
Mounting type	Flush				Partially flush					
Size	M8	M12	M18	M30	M8	M12	M18	M30	Q40	
Cable										
Electrical connection	Cable, 3-wire				Cable, 3-wire					–
Cable length [m]	2.5				2.5					
Cable sheath material	TPE-U (PUR)				TPE-U (PUR)					
Insulating sheath material	PVC				PVC					
Plug										
Electrical connection	Plug, M8x1, 3-pin	Plug, M12x1, 3-pin			Plug, M8x1, 3-pin	Plug, M12x1, 3-pin, Fixcon			Plug, M12x1, 4-pin, Fixcon	
Plug housing material	Chrome-plated brass				Chrome-plated brass					

Mechanical components									
Mounting type	Flush								
Size	M8		M12		M18		M30		Q40
Electrical connection	Cable	Plug	Cable	Plug	Cable	Plug	Cable	Plug	Plug
Product weight [g]	61.4	12	105	24	124	41	191	100	156
Housing material	High-alloy stainless steel		Chrome-plated brass		Chrome-plated brass		Chrome-plated brass		PBT-reinforced
	PA		LCP-reinforced		LCP-reinforced		LCP-reinforced		PA
	PP	–	TPE-O	–	TPE-O	–	TPE-O	–	–

Mechanical components									
Mounting type	Partially flush								
Size	M8		M12		M18		M30		Q40
Electrical connection	Cable	Plug	Cable	Plug	Cable	Plug	Cable	Plug	Plug
Attachment type	Via lock nut								Via through-hole
Tightening torque [Nm]	10	10	10	10	25	25	75	75	–
Product weight [g]	77	19	120	22	141	38	194	90	156
Housing material	High-alloy stainless steel		Chrome-plated brass		Chrome-plated brass		Chrome-plated brass		PBT-reinforced
	PA		PBT		PBT		PBT		PA

# Proximity sensors SIEF, inductive

Technical data – Increased switching distance, reduction factor 1, welding field immune

Display/operation										
Mounting type	Flush				Partially flush					
Size	M8	M12	M18	M30	M8	M12	M18	M30	Q40S	
Ready status display	–				–					Green LED
Switching status display	Yellow LED				Yellow LED					Yellow LED

Immissions/emissions										
Electrical connection	Cable				Plug					
Size	M8	M12	M18	M30	M8	M12	M18	M30	Q40	
Flush										
Ambient temperature with flexible cable installation [°C]	–5 ... +70				–					–
Protection class	IP68				IP68					
Resistance to interference from magnetic fields	Magnetic direct and alternating field				Magnetic direct and alternating field					
Surge resistance [kV]	0.8				0.8					
Corrosion resistance class CRC <sup>1)</sup>	2				2					
Degree of contamination	3				3					
Partially flush										
Ambient temperature with flexible cable installation [°C]	0 ... 80				–					
Protection class	IP67				IP67					
Resistance to interference from magnetic fields	Magnetic direct and alternating field				Magnetic direct and alternating field					
Surge resistance [kV]	–				–					
Corrosion resistance class CRC <sup>1)</sup>	4		2		4		2		–	
Degree of contamination	–				–					

1) Corrosion resistance class CRC 2 to Festo standard FN 940070  
 Moderate corrosion stress. Indoor applications in which condensation may occur. External visible parts with primarily decorative requirements for the surface and which are in direct contact with the ambient atmosphere typical for industrial applications.  
 Corrosion resistance class CRC 4 to Festo standard FN 940070  
 Particularly high corrosion stress. Outdoor exposure under extreme corrosive conditions. Parts exposed to aggressive media, for instance in the chemical or food industries. These applications may need to be supported by special tests (→ also FN 940082) using appropriate media.

Pin allocation to EN 60947-5-2							
M8x1, 3-pin				M12x1, 3-pin			
N/O contact				N/O contact			
	Pin	Wire colour	Allocation		Pin	Wire colour	Allocation
	1	Brown	+		1	Brown	+
	3	Blue	–		3	Blue	–
	4	Black	Output		4	Black	Output

M12x1, 4-pin							
NPN, antivalent				PNP, antivalent			
	Pin	Wire colour	Allocation		Pin	Wire colour	Allocation
	1	Brown	+		1	Brown	+
	2	White	N/O contact		2	White	N/C contact
	3	Blue	–		3	Blue	–
	4	Black	N/C contact		4	Black	N/O contact

# Proximity sensors SIEF, inductive

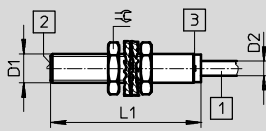
Technical data – Increased switching distance, reduction factor 1, welding field immune

Download CAD data → [www.festo.com](http://www.festo.com)

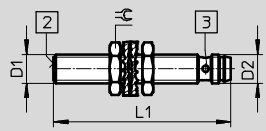
## Dimensions

### M8 – Flush fitting

Cable

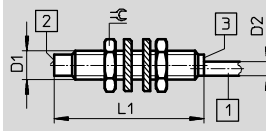


Plug

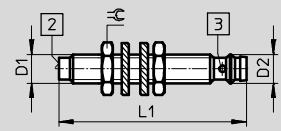


### M8 – Partially flush fitting

Cable

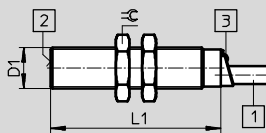


Plug

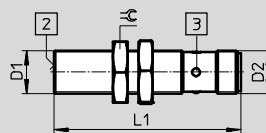


### M12 – Flush fitting

Cable

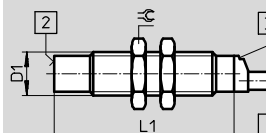


Plug

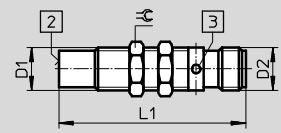


### M12 – Partially flush fitting

Cable

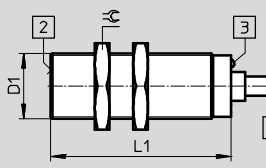


Plug

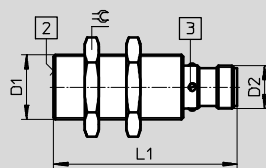


### M18 – Flush fitting

Cable

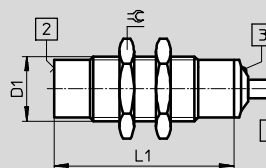


Plug

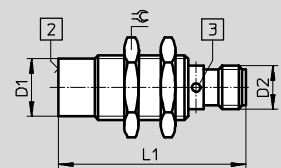


### M18 – Partially flush fitting

Cable



Plug



Mounting type	Electrical connection	D1	D2	L1	☎
<b>M8</b>					
Flush	Cable	M8x1	4	41.6	13
	Plug		M8x1	49	
Partially flush	Cable	M8x1	4	41.6	13
	Plug		M8x1	52	
<b>M12</b>					
Flush	Cable	M12x1	5.2	50	17
	Plug		M12x1	52	
Partially flush	Cable	M12x1	5	50	17
	Plug		M12x1	52	
<b>M18</b>					
Flush	Cable	M18x1	5.2	50	24
	Plug		M12x1	52	
Partially flush	Cable	M18x1	5.2	50	24
	Plug		M12x1	52	

- 1 Connecting cable
- 2 Active surface
- 3 LED

# Proximity sensors SIEF, inductive

Technical data – Increased switching distance, reduction factor 1, welding field immune

**Dimensions** Download CAD data → [www.festo.com](http://www.festo.com)

M30 – Flush fitting M30 – Partially flush fitting

Cable Plug Cable Plug

Mounting type	Electrical connection	D1	D2	L1	⌀
<b>M30</b>					
Flush	Cable	M30x1.5	5.2	60	36
	Plug		M12x1	62	
Partially flush	Cable	M30x1.5	5.2	60	36
	Plug		M12x1	62	

- 1 Connecting cable
- 2 Active surface
- 3 LED

**Dimensions – 40x40x65 mm** Download CAD data → [www.festo.com](http://www.festo.com)

Partially flush fitting

Mounting type	Electrical connection	B1	B2	B3	B4	D1	D2	H1	H2	L1	L2	L3	L4
<b>40x40x65 mm</b>													
Partially flush	Plug	40	30	20	5.3	M12x1	5.3	40	34	65	60	46	7.3

**Fitting instructions**




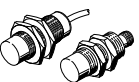

Flush fitting Partially flush fitting

Size	B1	B2	H
M8	12	16	4.5
M12	18	24	12
M18	27	36	15
M30	45	60	30

Size	B1	B2	H1	H2
M8	12	32	8	12
M12	18	48	16	24
M18	27	54	24	36
M30	45	90	30	60
40x40x65 mm	60	120	30	105

# Proximity sensors SIEF, inductive

Technical data – Increased switching distance, reduction factor 1, welding field immune

Ordering data								
Size	S <sub>n</sub> <sup>1)</sup> [mm]	Mounting type	Switching element function	Switching output	Electrical connection			
					Cable		Plug	
					Part No.	Type	Part No.	Type
<b>M8</b>								
	1.5	Flush	N/O contact	PNP	553538	SIEF-M8B-PS-K-L	553537	SIEF-M8B-PS-S-L
				NPN	553540	SIEF-M8B-NS-K-L	553539	SIEF-M8B-NS-S-L
	4.0	Partially flush		PNP	538308	SIEF-M8NB-PS-K-L	538307	SIEF-M8NB-PS-S-L
				NPN	538310	SIEF-M8NB-NS-K-L	538309	SIEF-M8NB-NS-S-L
<b>M12</b>								
	3.0	Flush	N/O contact	PNP	553542	SIEF-M12B-PS-K-L	553541	SIEF-M12B-PS-S-L
				NPN	553544	SIEF-M12B-NS-K-L	553543	SIEF-M12B-NS-S-L
	8.0	Partially flush		PNP	538312	SIEF-M12NB-PS-K-L	538311	SIEF-M12NB-PS-S-L
				NPN	538314	SIEF-M12NB-NS-K-L	538313	SIEF-M12NB-NS-S-L
<b>M18</b>								
	5.0	Flush	N/O contact	PNP	553546	SIEF-M18B-PS-K-L	553545	SIEF-M18B-PS-S-L
				NPN	553548	SIEF-M18B-NS-K-L	553547	SIEF-M18B-NS-S-L
	12.0	Partially flush		PNP	538316	SIEF-M18NB-PS-K-L	538315	SIEF-M18NB-PS-S-L
				NPN	538318	SIEF-M18NB-NS-K-L	538317	SIEF-M18NB-NS-S-L
<b>M30</b>								
	10.0	Flush	N/O contact	PNP	553550	SIEF-M30B-PS-K-L	553549	SIEF-M30B-PS-S-L
				NPN	553552	SIEF-M30B-NS-K-L	553551	SIEF-M30B-NS-S-L
	20.0	Partially flush		PNP	538320	SIEF-M30NB-PS-K-L	538319	SIEF-M30NB-PS-S-L
				NPN	538322	SIEF-M30NB-NS-K-L	538321	SIEF-M30NB-NS-S-L
<b>40x40x65 mm</b>								
	35.0	Partially flush	Antivalent	PNP	–		538341	SIEF-Q40S-PA-S-2L
				NPN			538342	SIEF-Q40S-NA-S-2L

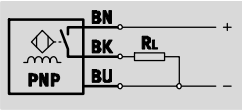
1) S<sub>n</sub> Rated operating distance [mm]



# Proximity sensors SIEF-...-WA, inductive

Technical data – Increased switching distance, reduction factor 1, welding field immune

Function<sup>1)</sup>



1) e.g. N/O contact with PNP output and cable

- Standard switching distance
- Reduction factor 1 for all metals
- Welding field immune
- For DC voltage
- Round design



General technical data	
Design	Round
Conforms to	EN 60947-5-2
Certification	cULus listed (OL)
	RCM trademark
CE mark (see declaration of conformity)	To EU EMC Directive <sup>1)</sup>

1) For information about the applicability of the component see the manufacturer's EC declaration of conformity at: [www.festo.com/sp](http://www.festo.com/sp) → User documentation.  
If the component is subject to restrictions on usage in residential, office or commercial environments or small businesses, further measures to reduce the emitted interference may be necessary.

Input signal/measuring element		
Ambient temperature	[°C]	-30 ... +85

Output, general							
Mounting type	Flush			Partially flush			
Size	M12	M18	M30	M12	M18	M30	
Repetition accuracy	[mm]	0.06	0.1	0.2	0.16	0.24	0.4

Switching output							
Mounting type	Flush			Partially flush			
Size	M12	M18	M30	M12	M18	M30	
Switching output	PNP						
	NPN						
Switching element function	N/O contact						
Rated operating distance	[mm]	3	5	10	8	12	20
Assured switching distance	[mm]	2.43	4.05	16.2	6.48	9.72	16.2

Reduction factors	
Aluminium	1.0
Stainless steel St 18/8	1.0
Copper	1.0
Brass	1.0
Steel St 37	1.0

Hysteresis	[mm]	0.24 ... 1.2	0.15 ... 0.75	0.36 ... 1.8	0.24 ... 1.2	0.36 ... 1.8	0.36 ... 1.8
Max. switching frequency DC	[Hz]	3,000	2,500	1,500	2,000	2,000	1,500
Max. output current	[mA]	200					
Voltage drop	[V]	≤ 1.8					

Output, additional data	
Protection against short circuit	Pulsed

# Proximity sensors SIEF-...-WA, inductive

Technical data – Increased switching distance, reduction factor 1, welding field immune

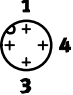
Electronic components		
Operating voltage range	[V DC]	10 ... 30
Residual ripple	[%]	10
Idle current	[mA]	≤ 15
Reverse polarity protection		For all electrical connections

Electromechanical components	
Electrical connection	Plug, M12x1, 3-pin, Fixcon
Plug housing material	PTFE-coated brass

Mechanical components							
Size	M12		M18		M30		
Mounting type	Flush	Partially flush	Flush	Partially flush	Flush		Partially flush
Switching output	PNP/NPN	PNP/NPN	PNP/NPN	PNP/NPN	PNP	NPN	PNP NPN
Attachment type	Via lock nut						
Tightening torque	[Nm]	7	15	75	75		
Product weight	[g]	26	48	373	464	919	1,010
Housing material	PTFE-coated brass						
	PBT						

Display/operation	
Switching status display	Yellow LED

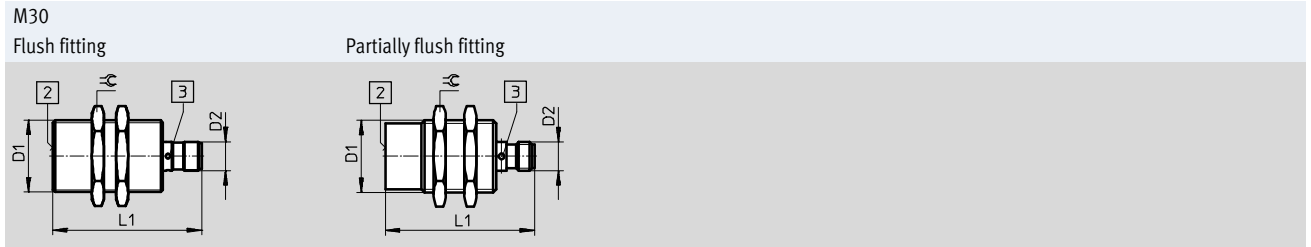
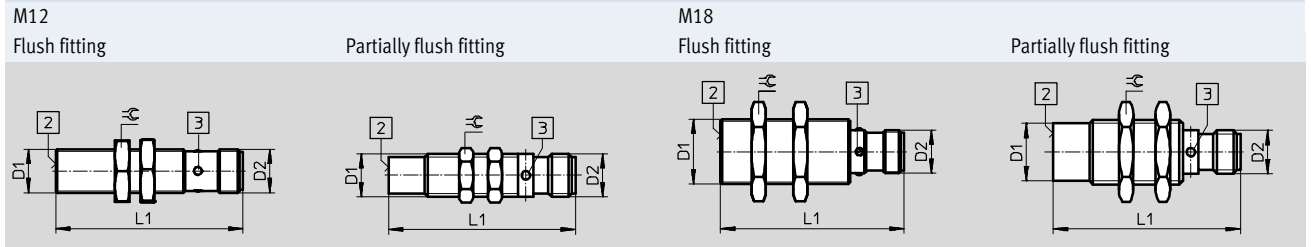
Immissions/emissions	
Protection class	IP67
Resistance to interference from magnetic fields	Magnetic direct and alternating field

Pin allocation to EN 60947-5-2			
M12x1, 3-pin			
N/O contact			
	Pin	Wire colour	Allocation
	1	Brown	+
	3	Blue	-
	4	Black	Output

# Proximity sensors SIEF-...-WA, inductive

Technical data – Increased switching distance, reduction factor 1, welding field immune

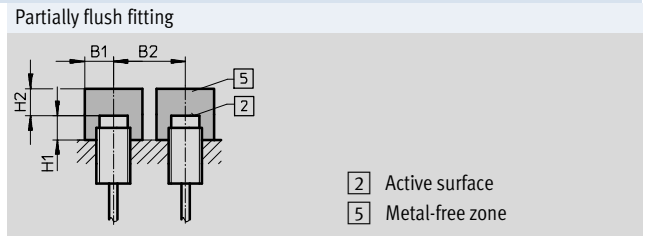
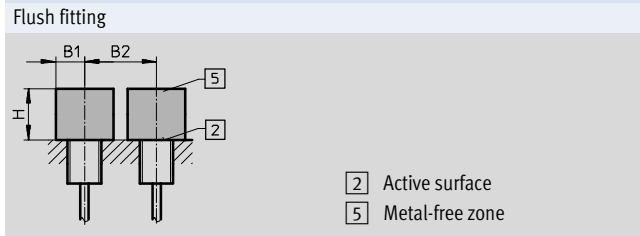
**Dimensions** Download CAD data → [www.festo.com](http://www.festo.com)



Mounting type	Electrical connection	D1	D2	L1	⌀
<b>M12</b>					
Flush	Plug	M12x1	M12x1	52	17
Partially flush					13
<b>M18</b>					
Flush	Plug	M18x1	M12x1	52	24
Partially flush					
<b>M30</b>					
Flush	Plug	M30x1.5	M12x1	62	36
Partially flush					

- 2 Active surface
- 3 LED

## Fitting instructions






Size	B1	B2	H
M12	18	24	9
M18	27	36	15
M30	45	60	30

Size	B1	B2	H1	H2
M12	18	48	16	24
M18	27	54	24	36
M30	45	90	40	60

# Proximity sensors SIEF-...-WA, inductive

Technical data – Increased switching distance, reduction factor 1, welding field immune



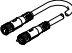
Ordering data						
Size	S <sub>n</sub> <sup>1)</sup> [mm]	Mounting type	Switching element function	Switching output	Electrical connection	
					Plug	Part No. Type
<b>M12</b>						
	3.0	Flush	N/O contact	PNP	538297	SIEF-M12B-PS-S-L-WA
				NPN	538298	SIEF-M12B-NS-S-L-WA
	8.0	Partially flush		PNP	538295	SIEF-M12NB-PS-S-L-WA
				NPN	538296	SIEF-M12NB-NS-S-L-WA
<b>M18</b>						
	5.0	Flush	N/O contact	PNP	538301	SIEF-M18B-PS-S-L-WA
				NPN	538302	SIEF-M18B-NS-S-L-WA
	12.0	Partially flush		PNP	538299	SIEF-M18NB-PS-S-L-WA
				NPN	538300	SIEF-M18NB-NS-S-L-WA
<b>M30</b>						
	10.0	Flush	N/O contact	PNP	538305	SIEF-M30B-PS-S-L-WA
				NPN	538306	SIEF-M30B-NS-S-L-WA
	20.0	Partially flush		PNP	538303	SIEF-M30NB-PS-S-L-WA
				NPN	538304	SIEF-M30NB-NS-S-L-WA

1) S<sub>n</sub> Rated operating distance [mm]



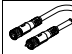
# Proximity sensors SIE..., inductive

Accessories

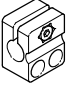
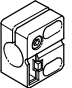
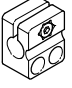
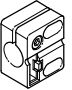
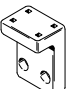
FESTO

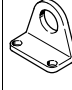
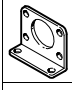

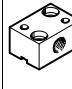
Ordering data – Connecting cables M8x1				
Technical data → Internet: nebu				
	Number of wires	Cable length [m]	Part No.	Type
<b>Straight socket</b>				
	3	2.5	★ 541333	NEBU-M8G3-K-2.5-LE3
		5	★ 541334	NEBU-M8G3-K-5-LE3
<b>Angled socket</b>				
	3	2.5	★ 541338	NEBU-M8W3-K-2.5-LE3
		5	★ 541341	NEBU-M8W3-K-5-LE3
<b>Straight socket, straight plug</b>				
	4	2.5	554037	NEBU-M8G3-K-2.5-M8G4 <sup>1)</sup>

1) For connecting proximity sensor SIEA-M8B to signal converter SVE4-US.

Ordering data – Connecting cables M12x1				
Technical data → Internet: nebu				
	Number of wires	Cable length [m]	Part No.	Type
<b>Straight socket</b>				
	3	2.5	★ 541363	NEBU-M12G5-K-2.5-LE3
		5	★ 541364	NEBU-M12G5-K-5-LE3
	4	2.5	★ 550326	NEBU-M12G5-K-2.5-LE4 <sup>1)</sup>
		5	★ 541328	NEBU-M12G5-K-5-LE4 <sup>1)</sup>
<b>Angled socket</b>				
	3	2.5	541367	NEBU-M12W5-K-2.5-LE3
		5	541370	NEBU-M12W5-K-5-LE3
	4	2.5	550325	NEBU-M12W5-K-2.5-LE4 <sup>1)</sup>
		5	541329	NEBU-M12W5-K-5-LE4 <sup>1)</sup>
<b>Straight socket, straight plug</b>				
	4	2.5	554036	NEBU-M12G5-K-2.5-M8G4 <sup>2)</sup>

1) For connecting proximity sensor SIE...-M12/M18/M30 in N/C contact version with plug.  
2) For connecting proximity sensor SIEA-M...B to signal converter SVE4.

Ordering data – Mounting attachments			
	For size	Part No.	Type
<b>Sensor bracket with stop for flush fitting</b>			
	M8	538346	SIEZ-B-8
	M12	538348	SIEZ-B-12
	M18	538350	SIEZ-B-18
	M30	538352	SIEZ-B-30
<b>Sensor bracket without stop</b>			
	4	538343	SIEZ-NB-4
	6.5	538344	SIEZ-NB-6.5
	M8	538345	SIEZ-NB-8
	M12	538347	SIEZ-NB-12
	M18	538349	SIEZ-NB-18
	M30	538351	SIEZ-NB-30
	M12, M18	538354	SIEZ-UH

Ordering data – Mounting attachments			
	For size	Part No.	Type
<b>Foot mounting</b>			
	M12	5123	HBN-8/10x1
<b>Flange mounting</b>			
	M30	195855	FBN-32
<b>Mounting bracket</b>			
	SIES-V3B	9634	HV-M5
<b>Stop</b>			
	M8	11542	SDA-8x1-B
	M12	11541	SDA-12x1-B

Festo core product range

- ★ Ready for dispatch from the Festo factory in 24 hours
- ☆ Ready for dispatch in 5 days maximum from stock

# Festo - Your Partner in Automation



**1 Festo Inc.**  
5300 Explorer Drive  
Mississauga, ON L4W 5G4  
Canada

**Festo Customer Interaction Center**  
Tel: 1 877 463 3786  
Fax: 1 877 393 3786  
Email: [customer.service.ca@festo.com](mailto:customer.service.ca@festo.com)



**2 Festo Pneumatic**  
Av. Ceylán 3,  
Col. Tequesquináhuac  
54020 Tlalnepantla,  
Estado de México

**Multinational Contact Center**  
01 800 337 8669  
[ventas.mexico@festo.com](mailto:ventas.mexico@festo.com)



**3 Festo Corporation**  
1377 Motor Parkway  
Suite 310  
Islandia, NY 11749

**Festo Customer Interaction Center**  
1 800 993 3786  
1 800 963 3786  
[customer.service.us@festo.com](mailto:customer.service.us@festo.com)



**4 Regional Service Center**  
7777 Columbia Road  
Mason, OH 45040

Connect with us



[www.festo.com/socialmedia](http://www.festo.com/socialmedia)



[www.festo.com](http://www.festo.com)

Subject to change