

Standard cylinders DSBF-C, to ISO 15552, Clean Design



# Standard cylinders DSBF-C, to ISO 15552, Clean Design

Key features

FESTO

## At a glance



DIN



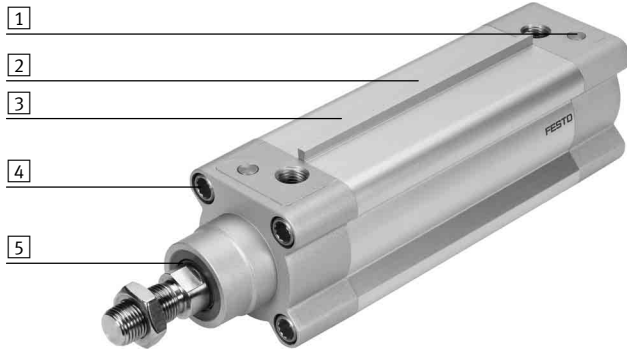
- Standards-based cylinders to ISO 15552 (corresponds to the withdrawn standards ISO 6431, DIN ISO 6431, VDMA 24562, NF E 49 003.1 and UNI 10290)

- The standard cylinder is used wherever hygiene, ease of cleaning and resistance are important, predominantly in dry and splash zones in the food and packaging industry
- For hygiene reasons, the threads on the end caps should be sealed with suitable blanking screws (available as accessories → page 33)

- Resistant to conventional cleaning agents
- Increased corrosion protection
- Three types of cushioning available:
  - P cushioning: elastic cushioning rings/pads at both ends
  - PPS cushioning: pneumatic cushioning, self-adjusting at both ends
  - PPV cushioning: pneumatic cushioning, adjustable at both ends

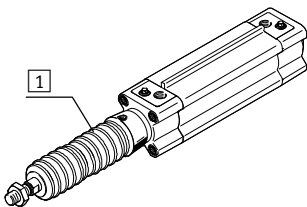
- The variants can be configured according to individual needs thanks to the modular product system
- High flexibility thanks to the wide range of variants
- Comprehensive range of mounting accessories for just about every type of installation
- Contactless position sensing via proximity sensors

## The technology in detail



- 1 Hygienic and self-adjusting PPS cushioning
- 2 Easy-to-clean cylinder profile without corners and indents
- 3 Corrosion-resistant cylinder surface
- 4 Standard dimensions and mounting accessories to ISO 15552
- 5 NSF-H1 lubricant and special wiper seal suitable for contact with food (feature A3). Long service life even with no or insufficient lubrication due to frequent cleaning.

## Longer service life with protective bellows kit DADB



The bellows protects the piston rod, the seal and the bearing from the effects of a wide range of media, which has a positive impact on the service life of these components.

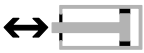











The bellows kit is a leak-free system. To prevent unwanted media from being drawn in, the supply and exhaust air must be ducted via a pressure compensation hole in the connection part 1.

The kit protects the piston rod, seal and bearings against a wide variety of media, for example:

- Dust
- Chippings
- Oil
- Grease
- Fuel

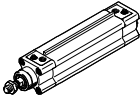
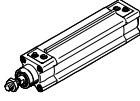
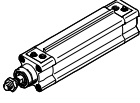
# Standard cylinders DSBF-C, to ISO 15552, Clean Design

Key features

Variants from the modular product system		
Symbol	Features	Description
	L Low friction	<ul style="list-style-type: none"> <li>• Break-away pressure: high</li> <li>• Dynamic response: very fast</li> <li>• Resistance: minimal resistance during the movement, greatest stick-slip</li> </ul> Sample application: belt tensioner <ul style="list-style-type: none"> <li>• Suitable for applications that require a dynamic movement</li> <li>• Efficient at speeds above 50 mm/s</li> </ul>
	U Uniform, slow movement	<ul style="list-style-type: none"> <li>• Break-away pressure: low</li> <li>• Dynamic response: slow and constant</li> <li>• Resistance: strong resistance during the movement, minimal stick-slip</li> </ul> Sample application: slow feed motion <ul style="list-style-type: none"> <li>• Suitable for slow movements at a constant speed over the stroke range</li> </ul>
	T Through piston rod	For working at both ends with the same force in the forward and return stroke, for attaching external stops
	F Female piston rod thread	–
	T1 Heat-resistant seals	Temperature range 0 ... +120 °C The seals and grease in this variant are not FDA-compliant.
	T3 Low temperature	Temperature range –40 ... +80 °C The seals and grease in this variant are not FDA-compliant.
	T4 Heat-resistant seals	Temperature range 0 ... +150 °C
	A1 Scraper variant	Increased chemical resistance: For a longer lifetime, e.g. when using cooling lubricants.
	A2 Scraper variant	Hard scraper: The cylinder is equipped with a hard-chrome plated piston rod and a hard scraper, which protects against dry, dusty media
	A3 Scraper variant	Unlubricated operation: Cleaning processes degrease the piston rod. A special piston rod seal designed for unlubricated operation permits a longer service life compared to the standard seal
	...E Piston rod extension	–
	...L Piston rod thread extension	–

# Standard cylinders DSBF-C, to ISO 15552, Clean Design

Product range overview

Function	Design	Type	Piston Ø	Stroke	Through piston rod	Female piston rod thread	Cushioning		
			[mm]	[mm]					
Double-acting	<b>DSBF-...</b>								
		DSBF-...	32, 40, 50, 63, 80, 100, 125	1 ... 2800	■	■	■	■	■
	<b>DSBF-...-L, low friction</b>								
		DSBF-...-L	32, 40, 50, 63, 80, 100	1 ... 2800	-	■	■	■	■
<b>DSBF-...-U, uniform, slow movement</b>									
	DSBF-...-U	32, 40, 50, 63, 80, 100, 125	1 ... 2800	-	■	■	■	■	

# Standard cylinders DSBF-C, to ISO 15552, Clean Design

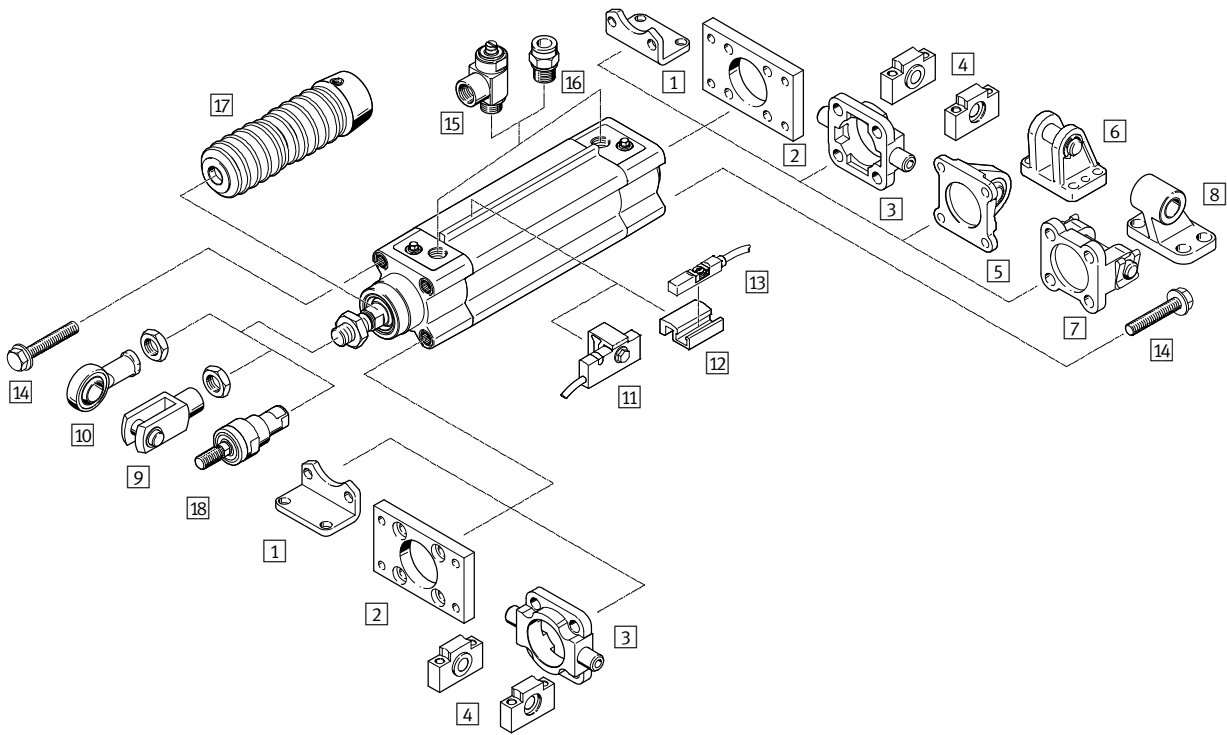
Product range overview

Type	Position sensing	Temperature range 0 ... +120 °C	Temperature range -40 ... +80 °C	Temperature range 0 ... +150 °C	Scraper variant Increased chemical resistance	Scraper variant Hard scraper	Scraper variant For unlubricated operation	EU certification	Piston rod extension	Piston rod thread extension	Sensor mounting
	A	T1	T3	T4	A1	A2	A3	EX4	...E	...L	R
<b>DSBF-...</b>											
DSBF-...	■	■	■	■	■	■	■	■	■	■	■
<b>DSBF-...-L, low friction</b>											
DSBF-...-L	■	-	-	-	-	-	-	-	■	■	■
<b>DSBF-...-U, uniform, slow movement</b>											
DSBF-...-U	■	-	-	-	-	-	-	-	■	■	■

# Standard cylinders DSBF-C, to ISO 1552, Clean Design

Peripherals overview

FESTO



# Standard cylinders DSBF-C, to ISO 15552, Clean Design

Peripherals overview

Mounting components and accessories		
	Description	→ Page/Internet
1	Foot mounting CRHNC	For bearing and end caps 22
2	Flange mounting CRFNG	– For bearing or end caps – Cannot be used on the bearing cap in combination with protective bellows kit DADB 22
3	Trunnion flange CRZNG	– For bearing or end caps in combination with trunnion supports CRLNZG – Cannot be used on the bearing cap in combination with protective bellows kit DADB 23
4	Trunnion support CRLNZG	For swivel mounting CRZNG 23
5	Swivel flange SNCS/CRSNCS/SNCS- ... -R3	With spherical bearing for end caps 23
6	Clevis foot LBG/LBG- ... -R3	– 24
7	Swivel flange SNCB- ... -R3	For end caps 24
8	Clevis foot CRLNG	For swivel flange SNCB- ... -R3 26
9	Rod clevis CRSG	Permits a swivelling movement of the cylinder in one plane 26
10	Rod eye CRSGS	With spherical bearing 26
11	Proximity sensor SMT-C1	<ul style="list-style-type: none"> <li>• For sensing the piston rod position</li> <li>• Proximity sensor is mounted on the sensor mounting rail</li> </ul> 31
12	Mounting kit SMB-8-C	<ul style="list-style-type: none"> <li>• For mounting the proximity sensor CRSMT-8M</li> <li>• Mounting kit is mounted on the sensor mounting rail</li> </ul> 31
13	Proximity sensor CRSMT-8M	For sensing the piston rod position 31
14	Blanking screw DAMD	For covering unused mounting threads 33
15	One-way flow control valve CRGRLA	For regulating speed 33
16	Push-in fitting NPQH/CRQS/CRQSL	For connecting compressed air tubing with standard O.D. 32
17	Protective bellows kit DADB	<ul style="list-style-type: none"> <li>– Protects the cylinder (piston rod, seal and bearings) against a wide range of media and thus prevents premature wear</li> <li>– The kit can only be used in combination with a piston rod extension (feature: ...E)</li> </ul> 27
18	Self-aligning rod coupler CRFK	For compensating radial and angular misalignments 26

# Standard cylinders DSBF-C, to ISO 15552, Clean Design

Type codes

DSBF - C - [ ] - 32 - 300 - [ ] - [ ] - PPV - A - N3

Type	
Standard cylinder, Clean Design	

Version	
C	Easy-to-clean design

Running characteristics	
-	Standard
L	Low friction
M	Uniform, slow movement

Piston Ø [mm]	
---------------	--

Stroke [mm]	
-------------	--

Piston rod	
-	At one end
T	Through piston rod

Piston rod thread type	
-	Male thread
F	Female thread

Cushioning	
P	Elastic cushioning rings/pads at both ends
PPS	Pneumatic cushioning, self-adjusting at both ends
PPV	Pneumatic cushioning, adjustable at both ends

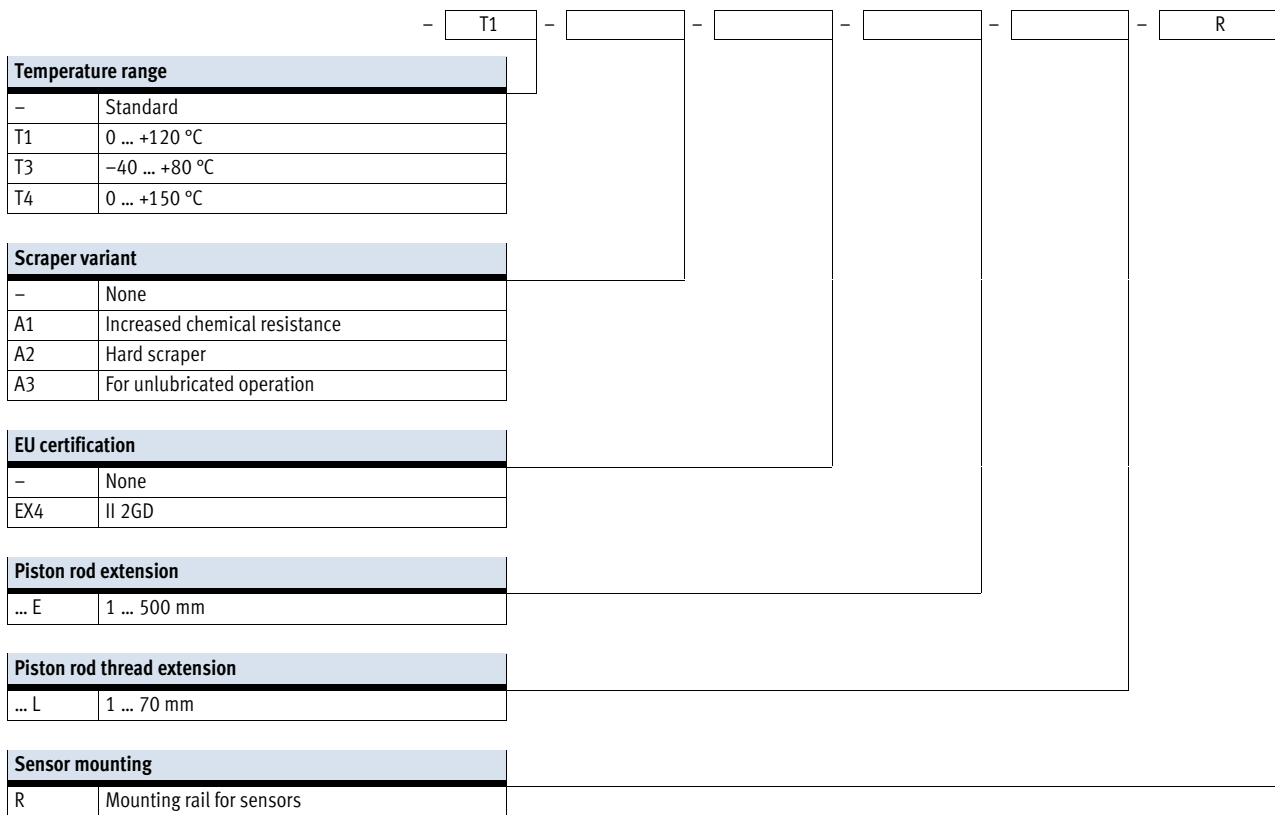
Position sensing	
A	Via proximity sensor

Standard	
-	Based on ISO 15552
N3	Corresponds to ISO 15552



# Standard cylinders DSBF-C, to ISO 15552, Clean Design

Type codes

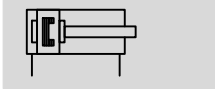


# Standard cylinders DSBF-C, to ISO 15552, Clean Design

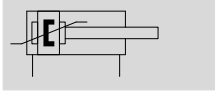
FESTO

Technical data

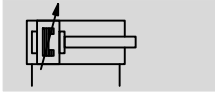
Function  
P cushioning



PPS cushioning



PPV cushioning



DIN



- Ø - Diameter  
32 ... 125 mm

- | - Stroke length  
1 ... 2800 mm

- T - [www.festo.com](http://www.festo.com)



General technical data								
Piston Ø		32	40	50	63	80	100	125
Pneumatic connection		G1/8	G1/4	G1/4	G3/8	G3/8	G1/2	G1/2
Piston rod thread		M10x1.25	M12x1.25	M16x1.5	M16x1.5	M20x1.5	M20x1.5	M27x2
Stroke								
DSBF-...	[mm]	1 ... 2800						
DSBF-...-...E	[mm]	1 ... 2000						
DSBF-...-...L	[mm]	1 ... 2000						
Design		Piston						
		Piston rod						
		Profile barrel						
Mode of operation		Double-acting						
Cushioning								
DSBF-...-P		Elastic cushioning rings/pads at both ends						
DSBF-...-PPS		Pneumatic cushioning, self-adjusting at both ends						
DSBF-...-PPV		Pneumatic cushioning, adjustable at both ends						
Cushioning length								
DSBF-...-PPV	[mm]	17	19	22	22	31	31	45
Position sensing		Via proximity sensor						
Type of mounting		Via female thread						
		Via accessories						
Mounting position		Any						

# Standard cylinders DSBF-C, to ISO 15552, Clean Design

Technical data

Operating and environmental conditions								
Piston Ø		32	40	50	63	80	100	125
Operating medium		Compressed air to ISO 8573-1:2010 [7:4:4]						
Note on operating/pilot medium		Lubricated operation possible (in which case lubricated operation will always be required)						
Operating pressure								
DSBF-...	[bar]	0.6 ... 12		0.4 ... 12			0.2 ... 10	
DSBF-...-L <sup>1)</sup>	[bar]	0.25 ... 12		0.2 ... 12	0.15 ... 12	0.1 ... 12		
DSBF-...-U <sup>1)</sup>	[bar]	0.1 ... 12				0.05 ... 12		0.05 ... 10
DSBF-...-T3/-A2	[bar]	1 ... 12					1 ... 10	
DSBF-...-A3	[bar]	1.5 ... 12		1 ... 12	0.6 ... 12		0.6 ... 10	
Ambient temperature <sup>2)</sup>								
DSBF-...	[°C]	-20 ... +80						
DSBF-...-L/-A1	[°C]	0 ... +80						
DSBF-...-T1	[°C]	0 ... +120						
DSBF-...-T3	[°C]	-40 ... +80						
DSBF-...-T4	[°C]	0 ... +150						
DSBF-...-EX4	[°C]	-20 ... +60						
Food-safe <sup>3)</sup>		See supplementary material information						
Corrosion resistance class CRC <sup>4)</sup>		3						

- 1) Values only applicable for strokes ≤ 500 mm and after 10 double strokes  
In combination with cushioning PPS/PPV, the specifications only apply outside the cushioning range
- 2) Note operating range of proximity sensors  
Additional information [www.festo.com/sp](http://www.festo.com/sp) → Certificates.
- 4) Corrosion resistance class CRC 3 to Festo standard FN 940070  
High corrosion stress. Outdoor exposure under moderate corrosive conditions. External visible parts with primarily functional requirements for the surface and which are in direct contact with a normal industrial environment.

ATEX <sup>1)</sup>	
ATEX category for gas	II 2G
Explosion ignition protection type for gas	Ex h IIC T4 Gb
ATEX category for dust	II 2D
Explosion ignition protection type for dust	Ex h IIIC T120°C Db
Explosion-proof ambient temperature	-20°C ≤ Ta ≤ +60°C
CE marking (see declaration of conformity)	To EU Explosion Protection Directive (ATEX)

- 1) Note the ATEX certification of the accessories.

Forces [N] and impact energy [J]								
Piston Ø		32	40	50	63	80	100	125
Theoretical force at 6 bar, advancing		483	754	1178	1870	3016	4712	7363
Theoretical force at 6 bar, retracting		415	633	990	1682	2721	4418	6881
Max. impact energy in the end positions								
DSBF-...		0.4	0.7	1.0	1.3	1.8	2.5	3.3
DSBF-...-L/-U/-T1/-T3/-T4		0.2	0.35	0.5	0.65	0.9	1.25	1.65

Permissible impact velocity:

$$v_{perm.} = \sqrt{\frac{2 \times E_{perm.}}{m_{intrinsic} + m_{Load}}}$$

Maximum permissible load:

$$m_{Load} = \frac{2 \times E_{perm.}}{v^2} - m_{intrinsic}$$

$v_{perm.}$  Permissible impact velocity  
 $E_{perm.}$  Maximum impact energy  
 $m_{intrinsic}$  Moving mass (drive)  
 $m_{Load}$  Moving payload

# Standard cylinders DSBF-C, to ISO 15552, Clean Design

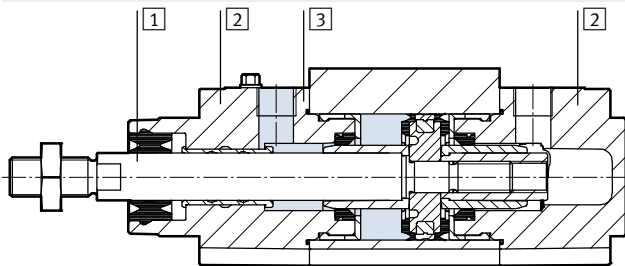


Technical data

Weight [g]							
Piston Ø	32	40	50	63	80	100	125
<b>DSBF-...</b>							
Product weight with 0 mm stroke	472	778	1241	1803	3131	4551	6928
Additional weight per 10 mm stroke	28	40	58	65	95	106	163
Moving mass with 0 mm stroke	108	204	363	460	800	1045	2245
Moving mass per 10 mm stroke	9	16	25	25	39	39	63
<b>DSBF-...-T</b>							
Product weight with 0 mm stroke	588	962	1574	2166	3714	5239	7767
Additional weight per 10 mm stroke	35	53	83	89	136	146	226
Moving mass with 0 mm stroke	179	338	611	714	1282	1561	3084
Moving mass per 10 mm stroke	18	32	50	50	78	78	126

## Materials

Sectional view



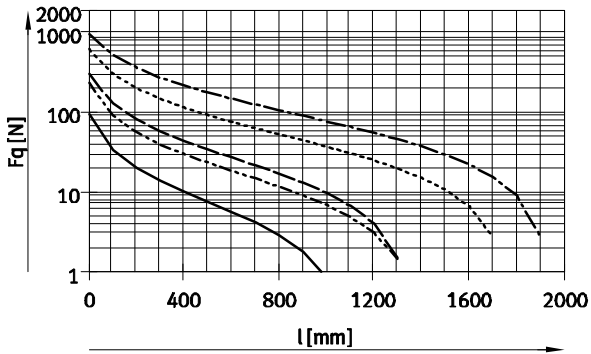
Standard cylinder	
1	Piston rod High-alloy stainless steel
2	Cover Die-cast aluminium, coated
3	Cylinder barrel Anodised wrought aluminium alloy
- Piston rod seal	
	DSBF-... TPE-U (PUR) media sealing (modified for resistance to hydrolysis and cleaning agents)
	DSBF-...-L/-U/T1/-T4/-A1 FPM
	DSBF-...-T3 TPE-U (PUR) (suitable for low temperatures)
	DSBF-...-A3 UHMW-PE
Cushioning seal	
	DSBF-... TPE-U (PUR)
	DSBF-...-U/-T1/-T4/-A1 FPM
	DSBF-...-T3 TPE-U (PUR) (suitable for low temperatures)
Cushioning boss	
	DSBF-... POM
	DSBF-...-T1/-T3/-T4 Aluminium
Note on materials	
	DSBF-... RoHS-compliant
	DSBF-...-L/-U/-T1/-T3/-T4/-A1/-A3 Contains PWIS (paint-wetting impairment substances)

# Standard cylinders DSBF-C, to ISO 1552, Clean Design

Technical data

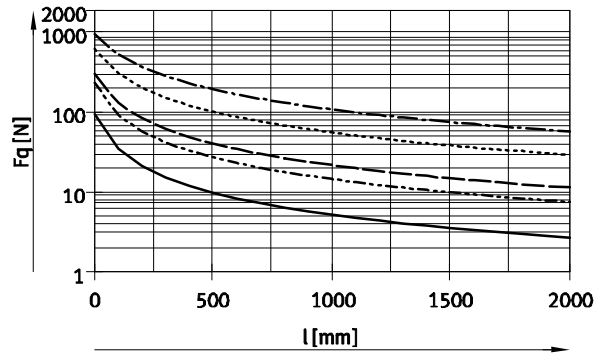
## Max. lateral force $F_q$ as a function of stroke length $l$

Horizontal mounting



- $\varnothing$  32      - - - - -  $\varnothing$  80/100
- - - - -  $\varnothing$  40      - - - - -  $\varnothing$  125
- - - - -  $\varnothing$  50/63

Vertical mounting



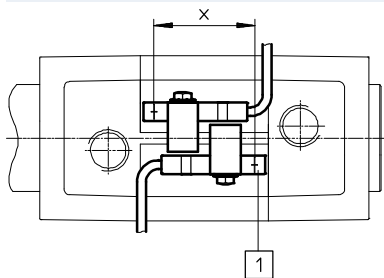
- $\varnothing$  32      - - - - -  $\varnothing$  80/100
- - - - -  $\varnothing$  40      - - - - -  $\varnothing$  125
- - - - -  $\varnothing$  50/63

## End-position sensing

A minimum stroke is required to be able to sense both end positions at the cylinder.

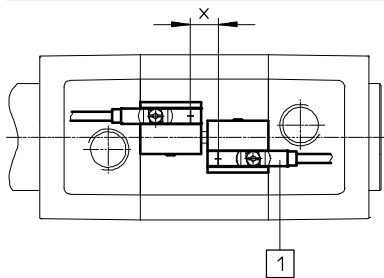
1 Position of the proximity sensor within the housing.

With proximity sensor SMT-C1



Piston $\varnothing$	32	40	50	63 ... 125
Minimum stroke x [mm]	18	17	13	10

With mounting kit SMB-8-C and proximity sensor CRSMT-8M



Piston $\varnothing$	32 ... 125
Minimum stroke x [mm]	10

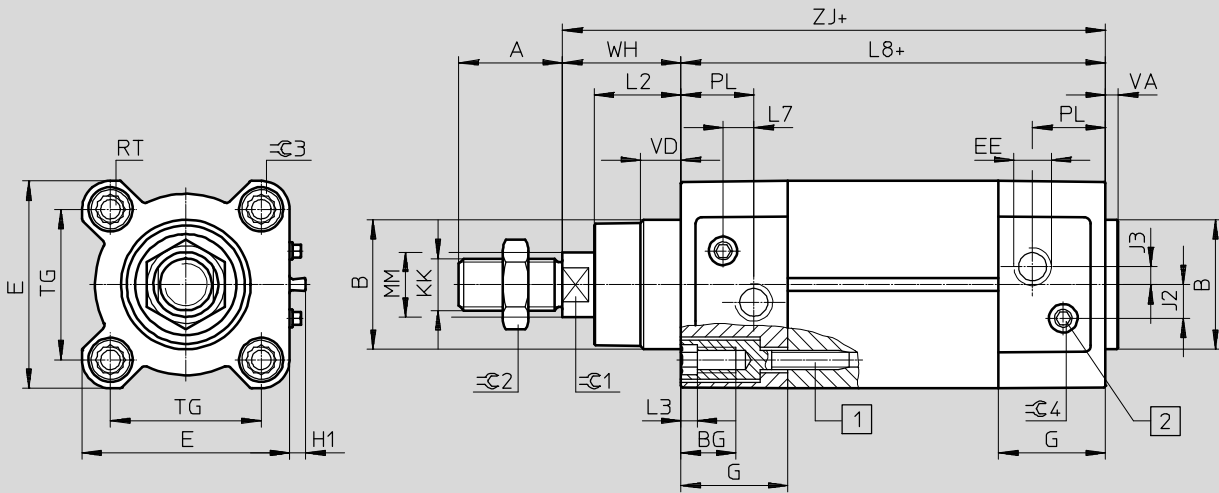
# Standard cylinders DSBF-C, to ISO 1552, Clean Design

FESTO

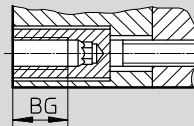
Technical data

Dimensions

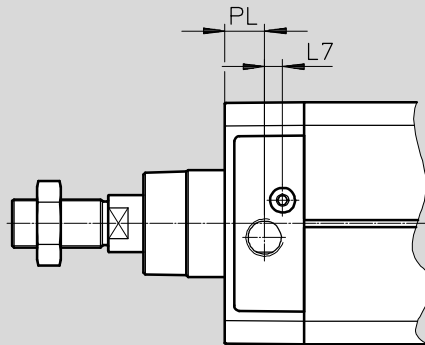
Download CAD data → [www.festo.com](http://www.festo.com)



Ø 80 ... 125



Ø 125



- + = plus stroke length
- 1 Socket head screw with female thread for mounting components
- 2 Regulating screw for adjustable end-position cushioning

# Standard cylinders DSBF-C, to ISO 15552, Clean Design

Technical data

∅ [mm]	A -0.5	B ∅ d11	BG min.	E +0.5	EE	G -0.2	H1 ±0.2	J2 ±0.1	J3 ±0.1
32	22	30	16	45	G1/8	28	5	5.7	5.3
40	24	35	16	54	G1/4	33	5	8	4
50	32	40	16	64	G1/4	33	5	10.4	5.5
63	32	45	16	75	G3/8	40.5	5	12.75	6.3
80	40	45	17	93	G3/8	43	5	12.5	8
100	40	55	17	110	G1/2	48	5	13.5	10
125	54	60	20	136	G1/2	44.7	5	13	8

∅ [mm]	KK	L2	L3 max.	L7	L8 ±0.4	MM ∅	PM ±0.1	RT	TG ±0.3
32	M10x1.25	18 <sub>-0.2</sub>	5	6.5	94	12	19.5	M6	32.5
40	M12x1.25	21.3 <sub>-0.2</sub>	5	7.5	105	16	22.5	M6	38
50	M16x1.5	26.8 <sub>-0.2</sub>	5	9.5	106	20	22.5	M8	46.5
63	M16x1.5	27 <sub>-0.2</sub>	5	9	121	20	27.5	M8	56.5
80	M20x1.5	34.2 <sub>-0.2</sub>	-	11	128	25	30	M10	72
100	M20x1.5	38 <sub>-0.2</sub>	-	7.5	138	25	31.5	M10	89
125	M27x2	45.5 <sub>-0.3</sub>	-	10	160	32	22.5	M12	110

∅ [mm]	VA	VD +0.5	WH +2.2	ZJ +1.8	≈C1	≈C2	≈C3	≈C4
32	4 <sub>-0.2</sub>	10	25	119.1	10	16	6	4
40	4 <sub>-0.2</sub>	10.5	28.7	133.9	13	18	6	4
50	4 <sub>-0.2</sub>	11.5	35.6	141.8	17	24	8	4
63	4 <sub>-0.2</sub>	15	35.9	157.1	17	24	8	4
80	4 <sub>-0.2</sub>	15.7	45.4	173.6	22	30	6	4
100	4 <sub>-0.2</sub>	19.2	49.3	187.5	22	30	6	5
125	6 <sub>-0.3</sub>	20.5	64.1	225	27	41	8	5

# Standard cylinders DSBF-C, to ISO 1552, Clean Design

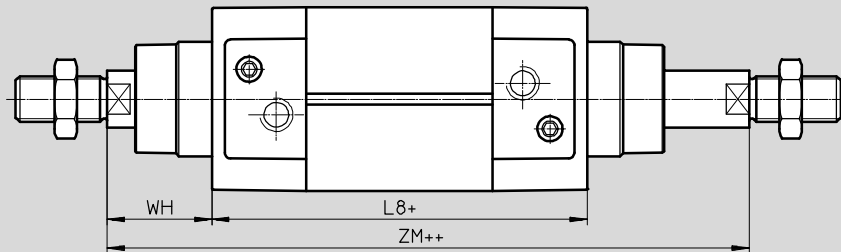


Technical data

## Dimensions – Variants

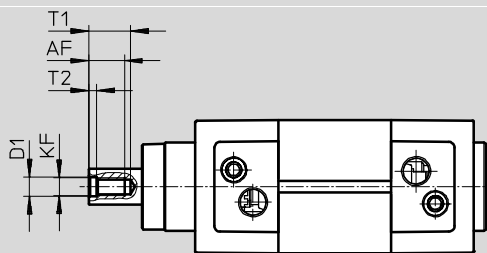
Download CAD data → [www.festo.com](http://www.festo.com)

T – Through piston rod



+ = plus stroke length  
++ = plus 2x stroke length

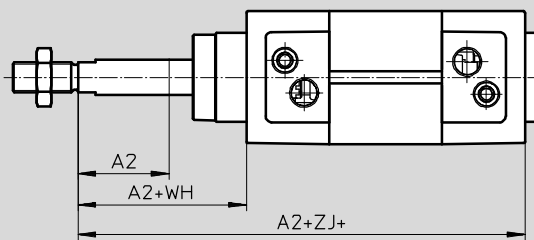
F – Piston rod with female thread



- - Note

In combination with variant T, the piston rod has female threads at both ends.

...E – Piston rod extension

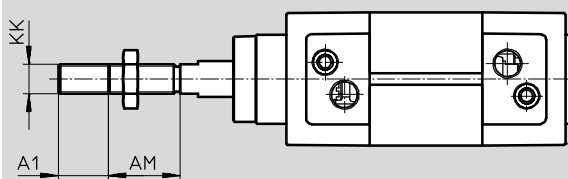


- - Note

Piston rod extension at one end in combination with the variant T.

+ = plus stroke length

...L – Piston rod thread extension



- - Note

In combination with variant T, the piston rod thread is extended at both ends.



# Standard cylinders DSBF-C, to ISO 15552, Clean Design

Technical data

∅ [mm]	A1 max.	A2 max.	AM -0.5	AF	D1	KF
32	35	500	22	12	6.4 <sup>+0,2</sup>	M6
40			24	12	8.4 <sup>+0,2</sup>	M8
50	70		32	16	10.5 <sup>+0,2</sup>	M10
63			32	16	10.5 <sup>+0,2</sup>	M10
80			40	20	13 <sup>+0,1</sup>	M12
100			40	20	13 <sup>+0,1</sup>	M12
125			54	32	17 <sup>+0,1</sup>	M16

∅ [mm]	KK	L8 ±0.4	T1	T2 +0.2	WH +2.2	ZJ +1.8	ZM +1
32	M10x1.25	94	16	2.6	26	119.1	146.1
40	M12x1.25	105	16	3.3	28.7	133.9	164.8
50	M16x1.5	106	21	4.7	35.6	141.8	179.8
63	M16x1.5	121	21	4.7	35.9	157.1	195.4
80	M20x1.5	128	26.5	6.1	45.4	173.6	221
100	M20x1.5	138	26.5	6.1	49.3	187.5	238.8
125	M27x2	160	40	8	65	225	290

# Standard cylinders DSBF-C, to ISO 15552, Clean Design

FESTO


Technical data

Ordering data					
Piston $\varnothing$ [mm]	Stroke [mm]	PPS – Pneumatic cushioning, self-adjusting at both ends A – With position sensing		PPV – Pneumatic cushioning, adjustable at both ends A – With position sensing	
		Part No.	Type	Part No.	Type
<b>Basic design</b>					
32	25	1778834	DSBF-C-32-25-PPSA-N3-R	1773752	DSBF-C-32-25-PPVA-N3-R
	40	1778835	DSBF-C-32-40-PPSA-N3-R	1773753	DSBF-C-32-40-PPVA-N3-R
	50	1778836	DSBF-C-32-50-PPSA-N3-R	1773754	DSBF-C-32-50-PPVA-N3-R
	80	1778837	DSBF-C-32-80-PPSA-N3-R	1773755	DSBF-C-32-80-PPVA-N3-R
	100	1778838	DSBF-C-32-100-PPSA-N3-R	1773756	DSBF-C-32-100-PPVA-N3-R
	125	1778839	DSBF-C-32-125-PPSA-N3-R	1773757	DSBF-C-32-125-PPVA-N3-R
	160	1778840	DSBF-C-32-160-PPSA-N3-R	1773758	DSBF-C-32-160-PPVA-N3-R
	200	1778841	DSBF-C-32-200-PPSA-N3-R	1773759	DSBF-C-32-200-PPVA-N3-R
	250	1778842	DSBF-C-32-250-PPSA-N3-R	1773760	DSBF-C-32-250-PPVA-N3-R
	320	1778843	DSBF-C-32-320-PPSA-N3-R	1773761	DSBF-C-32-320-PPVA-N3-R
	400	1778844	DSBF-C-32-400-PPSA-N3-R	1773762	DSBF-C-32-400-PPVA-N3-R
	500	1778845	DSBF-C-32-500-PPSA-N3-R	1773763	DSBF-C-32-500-PPVA-N3-R
	40	25	1779431	DSBF-C-40-25-PPSA-N3-R	1774259
40		1779432	DSBF-C-40-40-PPSA-N3-R	1774260	DSBF-C-40-40-PPVA-N3-R
50		1779433	DSBF-C-40-50-PPSA-N3-R	1774261	DSBF-C-40-50-PPVA-N3-R
80		1779434	DSBF-C-40-80-PPSA-N3-R	1774262	DSBF-C-40-80-PPVA-N3-R
100		1779435	DSBF-C-40-100-PPSA-N3-R	1774263	DSBF-C-40-100-PPVA-N3-R
125		1779436	DSBF-C-40-125-PPSA-N3-R	1774264	DSBF-C-40-125-PPVA-N3-R
160		1779437	DSBF-C-40-160-PPSA-N3-R	1774265	DSBF-C-40-160-PPVA-N3-R
200		1779438	DSBF-C-40-200-PPSA-N3-R	1774266	DSBF-C-40-200-PPVA-N3-R
250		1779439	DSBF-C-40-250-PPSA-N3-R	1774267	DSBF-C-40-250-PPVA-N3-R
320		1779440	DSBF-C-40-320-PPSA-N3-R	1774268	DSBF-C-40-320-PPVA-N3-R
400		1779441	DSBF-C-40-400-PPSA-N3-R	1774269	DSBF-C-40-400-PPVA-N3-R
500		1779442	DSBF-C-40-500-PPSA-N3-R	1774270	DSBF-C-40-500-PPVA-N3-R
50		25	1780283	DSBF-C-50-25-PPSA-N3-R	1775258
	40	1780284	DSBF-C-50-40-PPSA-N3-R	1775259	DSBF-C-50-40-PPVA-N3-R
	50	1780285	DSBF-C-50-50-PPSA-N3-R	1775260	DSBF-C-50-50-PPVA-N3-R
	80	1780286	DSBF-C-50-80-PPSA-N3-R	1775261	DSBF-C-50-80-PPVA-N3-R
	100	1780287	DSBF-C-50-100-PPSA-N3-R	1775262	DSBF-C-50-100-PPVA-N3-R
	125	1780288	DSBF-C-50-125-PPSA-N3-R	1775263	DSBF-C-50-125-PPVA-N3-R
	160	1780289	DSBF-C-50-160-PPSA-N3-R	1775264	DSBF-C-50-160-PPVA-N3-R
	200	1780290	DSBF-C-50-200-PPSA-N3-R	1775265	DSBF-C-50-200-PPVA-N3-R
	250	1780291	DSBF-C-50-250-PPSA-N3-R	1775266	DSBF-C-50-250-PPVA-N3-R
	320	1780292	DSBF-C-50-320-PPSA-N3-R	1775267	DSBF-C-50-320-PPVA-N3-R
	400	1780293	DSBF-C-50-400-PPSA-N3-R	1775268	DSBF-C-50-400-PPVA-N3-R
	500	1780294	DSBF-C-50-500-PPSA-N3-R	1775269	DSBF-C-50-500-PPVA-N3-R
	63	25	1780905	DSBF-C-63-25-PPSA-N3-R	1776043
40		1780906	DSBF-C-63-40-PPSA-N3-R	1776044	DSBF-C-63-40-PPVA-N3-R
50		1780907	DSBF-C-63-50-PPSA-N3-R	1776045	DSBF-C-63-50-PPVA-N3-R
80		1780908	DSBF-C-63-80-PPSA-N3-R	1776046	DSBF-C-63-80-PPVA-N3-R
100		1780909	DSBF-C-63-100-PPSA-N3-R	1776047	DSBF-C-63-100-PPVA-N3-R
125		1780910	DSBF-C-63-125-PPSA-N3-R	1776048	DSBF-C-63-125-PPVA-N3-R
160		1780911	DSBF-C-63-160-PPSA-N3-R	1776049	DSBF-C-63-160-PPVA-N3-R
200		1780912	DSBF-C-63-200-PPSA-N3-R	1776050	DSBF-C-63-200-PPVA-N3-R
250		1780913	DSBF-C-63-250-PPSA-N3-R	1776051	DSBF-C-63-250-PPVA-N3-R
320		1780914	DSBF-C-63-320-PPSA-N3-R	1776052	DSBF-C-63-320-PPVA-N3-R
400		1780915	DSBF-C-63-400-PPSA-N3-R	1776053	DSBF-C-63-400-PPVA-N3-R
500		1780916	DSBF-C-63-500-PPSA-N3-R	1776054	DSBF-C-63-500-PPVA-N3-R

# Standard cylinders DSBF-C, to ISO 15552, Clean Design

Technical data

Ordering data					
Piston $\varnothing$ [mm]	Stroke [mm]	PPS – Pneumatic cushioning, self-adjusting at both ends A – With position sensing		PPV – Pneumatic cushioning, adjustable at both ends A – With position sensing	
		Part No.	Type	Part No.	Type
Basic design					
80	25	1781061	DSBF-C-80-25-PPSA-N3-R	1778429	DSBF-C-80-25-PPVA-N3-R
	40	1781062	DSBF-C-80-40-PPSA-N3-R	1778430	DSBF-C-80-40-PPVA-N3-R
	50	1781063	DSBF-C-80-50-PPSA-N3-R	1778431	DSBF-C-80-50-PPVA-N3-R
	80	1781064	DSBF-C-80-80-PPSA-N3-R	1778432	DSBF-C-80-80-PPVA-N3-R
	100	1781065	DSBF-C-80-100-PPSA-N3-R	1778433	DSBF-C-80-100-PPVA-N3-R
	125	1781066	DSBF-C-80-125-PPSA-N3-R	1778434	DSBF-C-80-125-PPVA-N3-R
	160	1781067	DSBF-C-80-160-PPSA-N3-R	1778435	DSBF-C-80-160-PPVA-N3-R
	200	1781068	DSBF-C-80-200-PPSA-N3-R	1778436	DSBF-C-80-200-PPVA-N3-R
	250	1781069	DSBF-C-80-250-PPSA-N3-R	1778437	DSBF-C-80-250-PPVA-N3-R
	320	1781070	DSBF-C-80-320-PPSA-N3-R	1778438	DSBF-C-80-320-PPVA-N3-R
	400	1781071	DSBF-C-80-400-PPSA-N3-R	1778439	DSBF-C-80-400-PPVA-N3-R
	500	1781072	DSBF-C-80-500-PPSA-N3-R	1778440	DSBF-C-80-500-PPVA-N3-R
100	25	1782823	DSBF-C-100-25-PPSA-N3-R	1782253	DSBF-C-100-25-PPVA-N3-R
	40	1782824	DSBF-C-100-40-PPSA-N3-R	1782254	DSBF-C-100-40-PPVA-N3-R
	50	1782825	DSBF-C-100-50-PPSA-N3-R	1782255	DSBF-C-100-50-PPVA-N3-R
	80	1782826	DSBF-C-100-80-PPSA-N3-R	1782256	DSBF-C-100-80-PPVA-N3-R
	100	1782827	DSBF-C-100-100-PPSA-N3-R	1782257	DSBF-C-100-100-PPVA-N3-R
	125	1782828	DSBF-C-100-125-PPSA-N3-R	1782258	DSBF-C-100-125-PPVA-N3-R
	160	1782829	DSBF-C-100-160-PPSA-N3-R	1782259	DSBF-C-100-160-PPVA-N3-R
	200	1782830	DSBF-C-100-200-PPSA-N3-R	1782260	DSBF-C-100-200-PPVA-N3-R
	250	1782831	DSBF-C-100-250-PPSA-N3-R	1782261	DSBF-C-100-250-PPVA-N3-R
	320	1782832	DSBF-C-100-320-PPSA-N3-R	1782262	DSBF-C-100-320-PPVA-N3-R
	400	1782833	DSBF-C-100-400-PPSA-N3-R	1782263	DSBF-C-100-400-PPVA-N3-R
	500	1782834	DSBF-C-100-500-PPSA-N3-R	1782264	DSBF-C-100-500-PPVA-N3-R
125	25	1792953	DSBF-C-125-25-PPSA-N3-R	1785012	DSBF-C-125-25-PPVA-N3-R
	40	1792954	DSBF-C-125-40-PPSA-N3-R	1785013	DSBF-C-125-40-PPVA-N3-R
	50	1792955	DSBF-C-125-50-PPSA-N3-R	1785014	DSBF-C-125-50-PPVA-N3-R
	80	1792956	DSBF-C-125-80-PPSA-N3-R	1785015	DSBF-C-125-80-PPVA-N3-R
	100	1792957	DSBF-C-125-100-PPSA-N3-R	1785016	DSBF-C-125-100-PPVA-N3-R
	125	1792958	DSBF-C-125-125-PPSA-N3-R	1785017	DSBF-C-125-125-PPVA-N3-R
	160	1792959	DSBF-C-125-160-PPSA-N3-R	1785018	DSBF-C-125-160-PPVA-N3-R
	200	1792960	DSBF-C-125-200-PPSA-N3-R	1785019	DSBF-C-125-200-PPVA-N3-R
	250	1792961	DSBF-C-125-250-PPSA-N3-R	1785020	DSBF-C-125-250-PPVA-N3-R
	320	1792962	DSBF-C-125-320-PPSA-N3-R	1785021	DSBF-C-125-320-PPVA-N3-R
	400	1792963	DSBF-C-125-400-PPSA-N3-R	1785022	DSBF-C-125-400-PPVA-N3-R
	500	1792964	DSBF-C-125-500-PPSA-N3-R	1785023	DSBF-C-125-500-PPVA-N3-R


 Note  
Other variants in the modular product system → page 21

# Standard cylinders DSBF-C, to ISO 15552, Clean Design



Technical data

Ordering data					
Piston $\varnothing$ [mm]	Stroke [mm]	PPS – Pneumatic cushioning, self-adjusting at both ends A – With position sensing		PPV – Pneumatic cushioning, adjustable at both ends A – With position sensing	
		Part No.	Type	Part No.	Type
Variable stroke					
32	1 ... 2800	<b>1778516</b>	<b>DSBF-C-32-...-PPSA-N3-R</b>	<b>1772262</b>	<b>DSBF-C-32-...-PPVA-N3-R</b>
40	1 ... 2800	<b>1779309</b>	<b>DSBF-C-40-...-PPSA-N3-R</b>	<b>1774182</b>	<b>DSBF-C-40-...-PPVA-N3-R</b>
50	1 ... 2800	<b>1779742</b>	<b>DSBF-C-50-...-PPSA-N3-R</b>	<b>1774418</b>	<b>DSBF-C-50-...-PPVA-N3-R</b>
63	1 ... 2800	<b>1780600</b>	<b>DSBF-C-63-...-PPSA-N3-R</b>	<b>1775324</b>	<b>DSBF-C-63-...-PPVA-N3-R</b>
80	1 ... 2800	<b>1780945</b>	<b>DSBF-C-80-...-PPSA-N3-R</b>	<b>1778184</b>	<b>DSBF-C-80-...-PPVA-N3-R</b>
100	1 ... 2800	<b>1781567</b>	<b>DSBF-C-100-...-PPSA-N3-R</b>	<b>1781598</b>	<b>DSBF-C-100-...-PPVA-N3-R</b>
125	1 ... 2800	<b>1792703</b>	<b>DSBF-C-125-...-PPSA-N3-R</b>	<b>1784637</b>	<b>DSBF-C-125-...-PPVA-N3-R</b>

 - Note  
 Other variants in the modular product system → page 21

# Standard cylinders DSBF-C, to ISO 15552, Clean Design



Ordering data – Modular products

Ordering table											
Size	32	40	50	63	80	100	125	Condi- tions	Code	Entry code	
<b>M</b> Module No.	<b>570077</b>	<b>570078</b>	<b>570079</b>	<b>570080</b>	<b>570081</b>	<b>570082</b>	<b>1755169</b>				
Function	Clean Design standard cylinder								<b>DSBF</b>	DSBF	
Product version	Easy-to-clean design								<b>-C</b>	-C	
<b>O</b> Running characteristics	Standard										
	Low friction							-	<b>1</b>	<b>L</b>	
	Constant, slow movement								<b>1</b>	<b>M</b>	
<b>M</b> Piston diameter [mm]	32	40	50	63	80	100	125		-...		
Stroke [mm]	1 ... 2800									-...	
<b>O</b> Piston rod	At one end										
	Through piston rod									<b>-T</b>	
Piston rod thread type	Male thread										
	Female thread							<b>2</b>		<b>F</b>	
<b>M</b> Cushioning	Elastic cushioning rings/plates at both ends									<b>-P</b>	
	Pneumatic cushioning, self-adjusting at both ends							<b>3</b>		<b>-PPS</b>	
	Pneumatic cushioning, adjustable at both ends									<b>-PPV</b>	
Position sensing	Via proximity sensor									<b>A</b>	A
Standard	Conforms to ISO 15552									<b>-N3</b>	-N3
<b>O</b> Temperature range	Standard -20 ... +80 °C										
	Heat-resistant seals 0 ... +120 °C							<b>4</b>		<b>T1</b>	
	-40 ... +80 °C							<b>4</b>		<b>T3</b>	
	0 ... +150 °C							<b>4</b>		<b>T4</b>	
Wiper seal variant	None										
	Increased chemical resistance							<b>5</b>		<b>A1</b>	
	Hard scraper									<b>A2</b>	
	For unlubricated operation							<b>5</b>		<b>A3</b>	
EU certification	None										
	II 2GD							-		<b>EX4</b>	
Piston rod extension [mm]	1 ... 500							<b>6</b>		<b>-...E</b>	
Piston rod thread extension [mm]	1 ... 35			1 ... 70				<b>6</b>		<b>-...L</b>	
<b>M</b> Sensor mounting	Mounting rail for sensors									<b>-R</b>	-R

- 1** L, U Not with T, T1, T3, T4, A1, A2, A3 and EX4
- 2** F Not with ...L
- 3** PPS Not with T1, T3, T4, A1

- 4** T1, T3, T4 Not with A1, A2, A3, EX4
- 5** A1, A3 Not with EX4
- 6** ...E, ...L Only up to strokes of 2,000 mm  
Not with N3

### Transfer order code

**DSBF** - **C** -  -  -  -  -  -  -  -  -  **A** - **N3**    -  -  -  - **R**

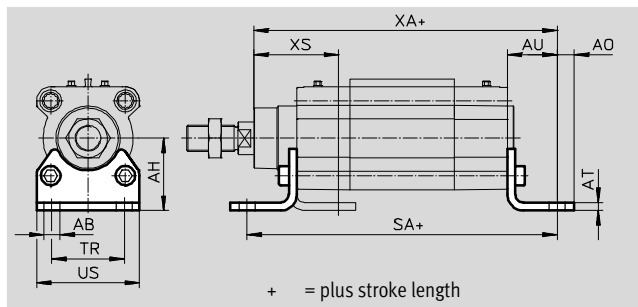
# Standard cylinders DSBF-C, to ISO 1552, Clean Design



Accessories

## Foot mounting CRHNC

Material:  
High-alloy steel  
Free of copper and PTFE



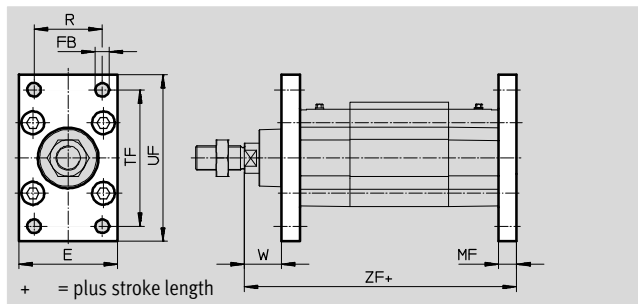
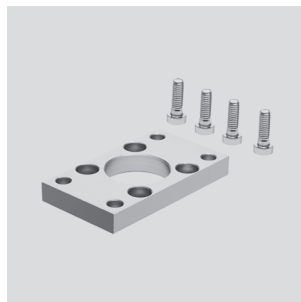
Dimensions and ordering data														
For $\varnothing$	AB	AH	AO	AT	AU	SA	TR	US	XA	XS	CRC <sup>1)</sup>	Weight	Part No.	Type <sup>2)</sup>
[mm]	$\varnothing$											[g]		
32	7	32	6.5	4	24	142	32	45	143.1	46	4	139	<b>176937</b>	<b>CRHNC-32</b>
40	10	36	9	4	28	161	36	54	161.9	52.7	4	188	<b>176938</b>	<b>CRHNC-40</b>
50	10	45	9.5	5	32	170	45	64	173.8	62.6	4	341	<b>176939</b>	<b>CRHNC-50</b>
63	10	50	12.5	5	32	185	50	75	189.1	62.9	4	424	<b>176940</b>	<b>CRHNC-63</b>
80	12	63	15	6	41	210	63	93	214.6	80.4	4	810	<b>176941</b>	<b>CRHNC-80</b>
100	14.5	71	17.5	6	41	220	75	110	228.5	84.3	4	990	<b>176942</b>	<b>CRHNC-100</b>
125	16.5	90	22	8	45	250	90	131	270	102	4	1920	<b>176943</b>	<b>CRHNC-125</b>

- 1) Corrosion resistance class CRC 4 to Festo standard FN 940070  
Particularly high corrosion stress. Outdoor exposure under extreme corrosive conditions. Parts exposed to aggressive media, for instance in the chemical or food industries. These applications may need to be supported by special tests (➔ also FN 940082) using appropriate media.
- 2) ATEX-compliant

## Flange mounting CRFNG

Material:  
High-alloy steel  
Free of copper and PTFE

Cannot be used on the bearing cap in combination with protective bellows kit DADB.



Dimensions and ordering data													
For $\varnothing$	E	FB	MF	R	TF	UF	W	ZF	CRC <sup>1)</sup>	Weight	Part No.	Type <sup>2)</sup>	
[mm]		$\varnothing$								[g]			
32	45	7	10	32	64	80	16	129.1	4	220	<b>161846</b>	<b>CRFNG-32</b>	
40	54	9	10	36	72	90	18.7	143.9	4	291	<b>161847</b>	<b>CRFNG-40</b>	
50	64	9	12	45	90	110	23.6	153.8	4	526	<b>161848</b>	<b>CRFNG-50</b>	
63	75	9	12	50	100	120	23.9	169.1	4	680	<b>161849</b>	<b>CRFNG-63</b>	
80	93	12	16	63	126	150	29.4	189.6	4	1508	<b>161850</b>	<b>CRFNG-80</b>	
100	110	14	16	75	150	175	33.3	203.5	4	2054	<b>161851</b>	<b>CRFNG-100</b>	
125	132	16	20	90	180	210	45	245	4	3787	<b>185363</b>	<b>CRFNG-125</b>	

- 1) Corrosion resistance class CRC 4 to Festo standard FN 940070  
Particularly high corrosion stress. Outdoor exposure under extreme corrosive conditions. Parts exposed to aggressive media, for instance in the chemical or food industries. These applications may need to be supported by special tests (➔ also FN 940082) using appropriate media.
- 2) ATEX-compliant

# Standard cylinders DSBF-C, to ISO 15552, Clean Design

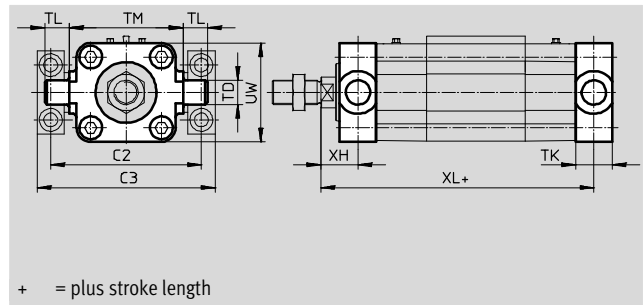


Accessories

## Trunnion flange CRZNG

Material:  
High-alloy steel  
Free of copper and PTFE

Cannot be used on the bearing cap in combination with protective bellows kit DADB.

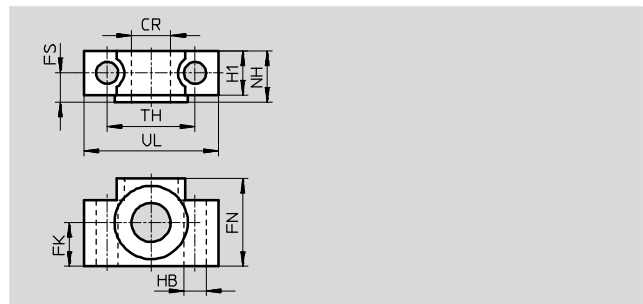
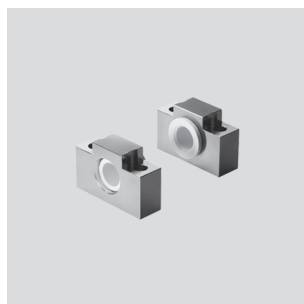


Dimensions and ordering data													
For $\varnothing$	C2	C3	TD	TK	TL	TM	UW	XH	XL	CRC <sup>1)</sup>	Weight	Part No.	Type <sup>2)</sup>
[mm]			$\varnothing$ e9								[g]		
32	71	86	12	16	12	50	45	18	127.1	4	150	161852	CRZNG-32
40	87	105	16	20	16	63	54	18.7	143.9	4	285	161853	CRZNG-40
50	99	117	16	24	16	75	64	23.6	153.8	4	473	161854	CRZNG-50
63	116	136	20	24	20	90	75	23.9	169.1	4	687	161855	CRZNG-63
80	136	156	20	28	20	110	93	31.4	187.6	4	1296	161856	CRZNG-80
100	164	189	25	38	25	132	110	30.3	206.5	4	2254	161857	CRZNG-100
125	192	217	25	50	25	160	131	40	250	4	3484	185362	CRZNG-125

- Corrosion resistance class CRC 4 to Festo standard FN 940070  
Particularly high corrosion stress. Outdoor exposure under extreme corrosive conditions. Parts exposed to aggressive media, for instance in the chemical or food industries. These applications may need to be supported by special tests (→ also FN 940082) using appropriate media.
- ATEX-compliant

## Trunnion support CRLNZG

Material:  
High-alloy steel  
Free of copper and PTFE



Dimensions and ordering data													
For $\varnothing$	CR	FK	FN	FS	H1	HB	NH	TH	UL	CRC <sup>1)</sup>	Weight	Part No.	Type
[mm]	$\varnothing$ D11	$\varnothing$ $\pm 0.1$				$\varnothing$ H13		$\pm 0.2$			[g]		
32	12	15	30	10.5	15	6.6	18	32	46	4	205	161874	CRLNZG-32
40, 50	16	18	36	12	18	9	21	36	55	4	323	161875	CRLNZG-40/50
63, 80	20	20	40	13	20	11	23	42	65	4	435	161876	CRLNZG-63/80
100, 125	25	25	50	16	24.5	14	28.5	50	75	4	739	161877	CRLNZG-100/125

- Corrosion resistance class CRC 4 to Festo standard FN 940070  
Particularly high corrosion stress. Outdoor exposure under extreme corrosive conditions. Parts exposed to aggressive media, for instance in the chemical or food industries. These applications may need to be supported by special tests (→ also FN 940082) using appropriate media.

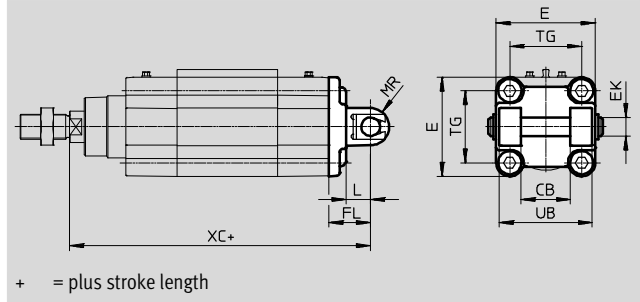
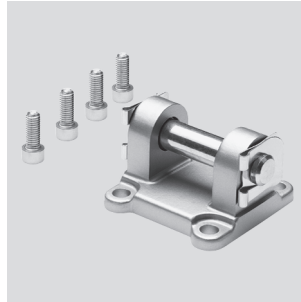
# Standard cylinders DSBF-C, to ISO 1552, Clean Design

FESTO

Accessories

## Swivel flange SNCB-R3

Material:  
Die-cast aluminium with protective coating  
Free of copper and PTFE



Dimensions and ordering data													
für Ø	CB	E	EK	FL	L	MR	UB	TG	XC	CRC <sup>1)</sup>	Weight	Part No.	Type
[mm]	H14		Ø H9/e8	±0.2		-0.5	h14				[g]		
32	26	45 <sup>+0.2/-0.5</sup>	10	22	13	8.5	45	32.5	141.1	3	100	176944	SNCB-32-R3
40	28	54 <sup>-0.5</sup>	12	25	16	12	52	38	158.9	3	151	176945	SNCB-40-R3
50	32	64 <sup>-0.6</sup>	12	27	16	12	60	46.5	168.8	3	228	176946	SNCB-50-R3
63	40	75 <sup>-0.6</sup>	16	32	21	16	70	56.5	189.1	3	371	176947	SNCB-63-R3
80	50	93 <sup>-0.8</sup>	16	36	22	16	90	72	209.6	3	632	176948	SNCB-80-R3
100	60	110 <sup>+0.3/-0.8</sup>	20	41	27	20	110	89	228.5	3	986	176949	SNCB-100-R3
125	70	131 <sup>-0.8</sup>	25	50	30	25	130	110	275	3	1776	176950	SNCB-125-R3

1) Corrosion resistance class CRC 3 to Festo standard FN 940070  
High corrosion stress. Outdoor exposure under moderate corrosive conditions. External visible parts with primarily functional requirements for the surface and which are in direct contact with a normal industrial environment.



# Standard cylinders DSBF-C, to ISO 15552, Clean Design

Accessories

## Swivel flange

SNCS/CRSNCS/SNCS...-R3

Materials:

SNCS 32 ... 50: Die-cast aluminium

SNCS 63 ... 125:

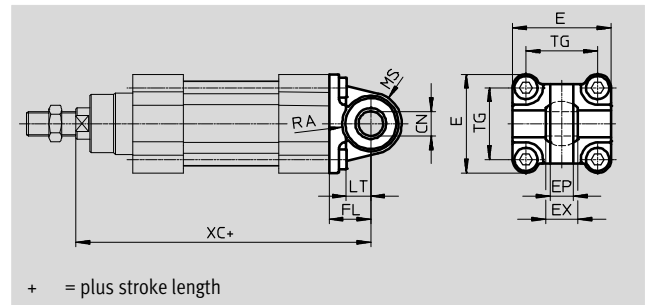
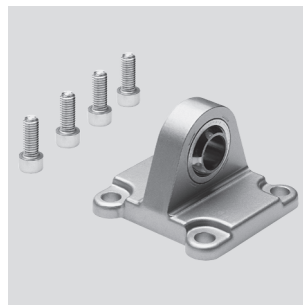
Wrought aluminium alloy

CRSNCS 32 ... 80:

High-alloy stainless steel

SNCS...-R3: 100 ... 125: Wrought aluminium alloy with protective coating

RoHS-compliant



+ = plus stroke length

Dimensions and ordering data							
For Ø [mm]	CN Ø		E		EP ±0.2	EX	FL ±0.2
	DSBF-C...	DSBF-C...-R3	DSBF-C...	DSBF-C...-R3			
32	10 <sup>+0.013</sup>	10 <sup>+0.015/-0.04</sup>	45 <sup>+0.2/-0.5</sup>	45 <sup>-0.5</sup>	10.5	14	22
40	12 <sup>+0.015</sup>	12 <sup>+0.018/-0.04</sup>	54 <sup>-0.5</sup>	54 <sup>-0.5</sup>	12	16	25
50	16 <sup>+0.015</sup>	16 <sup>+0.018/-0.04</sup>	64 <sup>-0.6</sup>	64 <sup>-0.6</sup>	15	21	27
63	16 <sup>+0.015</sup>	16 <sup>+0.018/-0.04</sup>	74,5 <sup>+0.5</sup>	75 <sup>-0.6</sup>	15	21	32
80	20 <sup>+0.018</sup>	20 <sup>+0.021/-0.04</sup>	92,2 <sup>+0.5</sup>	93 <sup>-0.8</sup>	18	25	36
100	20 <sup>+0.018</sup>	20 <sup>+0.021/-0.04</sup>	109 <sup>+1/-0.7</sup>	109 <sup>+1/-0.7</sup>	18	25	41
125	30 <sup>+0.018</sup>	30 <sup>+0.021/-0.04</sup>	132 <sup>+1/-0.7</sup>	132 <sup>+1/-0.7</sup>	25	37	50

For Ø [mm]	LT	MS		RA		TG	XC
		DSBF-C...	DSBF-C...-R3	DSBF-C... +1	DSBF-C...-R3 +1		
32	13	15 <sup>+0.5</sup>	15 <sup>+0.5</sup>	14.5	14.5	32.5	141.1
40	16	17 <sup>+0.5</sup>	17 <sup>+0.5</sup>	17.5	17.5	38	158.9
50	16	20 <sup>+0.5</sup>	20 <sup>+0.5</sup>	18.5	19	46.5	168.8
63	21	23 <sup>-0.5</sup>	22 <sup>+0.5</sup>	23	23	56.5	189.1
80	22	28 <sup>-0.5</sup>	27 <sup>+0.5</sup>	25	25	72	209.6
100	27	30 <sup>±0.5</sup>	30 <sup>±0.5</sup>	95	100	89	228.5
125	30	39 <sup>±0.5</sup>	39 <sup>±0.5</sup>	100	100	110	275

For Ø [mm]	Basic version				High corrosion protection			
	CRC <sup>1)</sup>	Weight [g]	Part No.	Type	CRC <sup>1)</sup>	Weight [g]	Part No.	Type
32	2	86	174397	SNCS-32	4	161	2895920	CRSNCS-32
40	2	122	174398	SNCS-40	4	239	2895921	CRSNCS-40
50	2	216	174399	SNCS-50	4	403	2895922	CRSNCS-50
63	2	281	174400	SNCS-63	4	576	2895923	CRSNCS-63
80	2	557	174401	SNCS-80	4	1173	2895924	CRSNCS-80
100	2	683	174402	SNCS-100	3	684	2895925	SNCS-100-R3
125	2	1369	174403	SNCS-125	3	1369	2895926	SNCS-125-R3

1) Corrosion resistance class CRC 2 to Festo standard FN 940070

Moderate corrosion stress. Indoor applications in which condensation may occur. External visible parts with primarily decorative requirements for the surface and which are in direct contact with the ambient atmosphere typical for industrial applications.

Corrosion resistance class CRC 3 to Festo standard FN 940070

High corrosion stress. Outdoor exposure under moderate corrosive conditions. External visible parts with primarily functional requirements for the surface and which are in direct contact with a normal industrial environment.

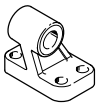
Corrosion resistance class CRC 4 to Festo standard FN 940070

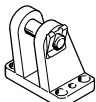
Particularly high corrosion stress. Outdoor exposure under extreme corrosive conditions. Parts exposed to aggressive media, for instance in the chemical or food industries. These applications may need to be supported by special tests (➔ also FN 940082) using appropriate media.


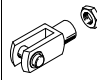
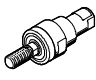
# Standard cylinders DSBF-C, to ISO 15552, Clean Design

FESTO

Accessories

Ordering data – Mounting components			
Designation	For Ø	Part No.	Type
Clevis foot CRLNG			
	32	161840	CRLNG-32
	40	161841	CRLNG-40
	50	161842	CRLNG-50
	63	161843	CRLNG-63
	80	161844	CRLNG-80
	100	161845	CRLNG-100
	125	176951	CRLNG-125

Ordering – Mounting attachments, high corrosion protection			Technical data → Internet: clevis foot	
Designation	For Ø	Part No.	Type	
Clevis foot LBG-R3				
	32	2078790	LBG-32-R3	
	40	2078792	LBG-40-R3	
	50	2078794	LBG-50-R3	
	63	2078795	LBG-63-R3	
	80	2078797	LBG-80-R3	
	100	2078799	LBG-100-R3	
	125	2078837	LBG-125-R3	

Ordering data – Piston rod attachments, corrosion- and acid-resistant				Technical data → Internet: piston rod attachment			
	For Ø	Part No.	Type		For Ø	Part No.	Type
Rod eye CRS GS				Rod clevis CRS G <sup>1)</sup>			
	32	195582	CRSGS-M10x1,25		32	13569	CRSG-M10x1,25
	40	195583	CRSGS-M12x1,25		40	13570	CRSG-M12x1,25
	50, 63	195584	CRSGS-M16x1,5		50, 63	13571	CRSG-M16x1,5
	80, 100	195585	CRSGS-M20x1,5		80, 100	13572	CRSG-M20x1,5
	125	195586	CRSGS-M27x2		125	185361	CRSG-M27x2
Self-aligning rod coupler CRFK							
	32	2305778	CRFK-M10x1,25				
	40	2305779	CRFK-M12x1,25				
	50, 63	2490673	CRFK-M16x1,5				
	80, 100	2545677	CRFK-M20x1,5				

1) ATEX-compliant

# Standard cylinders DSBF-C, to ISO 15552, Clean Design

Accessories

## Protective bellows kit DADB



General technical data								
Type DADB-V6-		32	40	50	63	80	100	
Max. stroke range of cylinder <sup>1)</sup>	[mm]	10 ... 500	10 ... 500	10 ... 500	10 ... 500	10 ... 500	10 ... 500	
Type of mounting		Via threaded pin						
Mounting position		Any						
Resistance to media		Dust, chippings, oil, grease, fuel (→ Internet: Resistance to media)						
Ambient temperature <sup>2)</sup>	[°C]	-10 ... +80						
Protection class		IP54						
Corrosion resistance class CRC <sup>3)</sup>		3						

1) In combination with protective bellows kit DADB

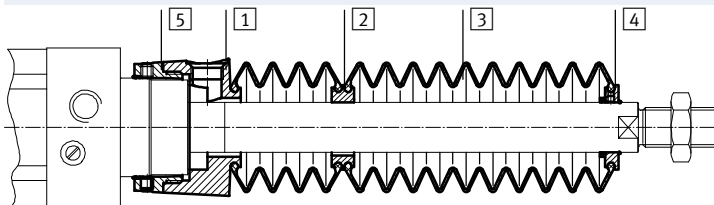
2) Note operating range of proximity sensors and cylinder

3) Corrosion resistance class CRC 3 to Festo standard FN 940070

High corrosion stress. Outdoor exposure under moderate corrosive conditions. External visible parts with primarily functional requirements for the surface and which are in direct contact with a normal industrial environment.

## Materials

Sectional view



Bellows		
1	Connection	Polyamide
2	Adapter	Polyamide
3	Bellows	Nitrile rubber
4	End piece	Polyamide
5	Connector	Polyamide
-	O-ring	Nitrile rubber
Note on materials		Free of copper and PTFE
		RoHS-compliant

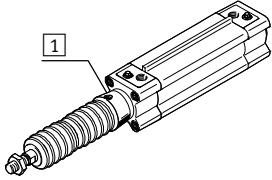
Weight [g]							
Type DADB-V6-		32	40	50	63	80	100
Stroke [mm]							
10 ... 50		29	42	71	69	99	124
51 ... 125		41	56	91	89	127	152
126 ... 175		52	68	105	103	140	165
176 ... 250		66	85	129	127	193	218
251 ... 300		79	100	147	145	231	255
301 ... 350		92	115	166	164	268	293
351 ... 375		92	115	167	165	259	284
376 ... 425		104	129	185	183	296	321
426 ... 475		117	144	204	202	334	359
476 ... 500		117	144	205	203	324	349

# Standard cylinders DSBF-C, to ISO 15552, Clean Design

Accessories



## Travel speed v as a function of tubing length l

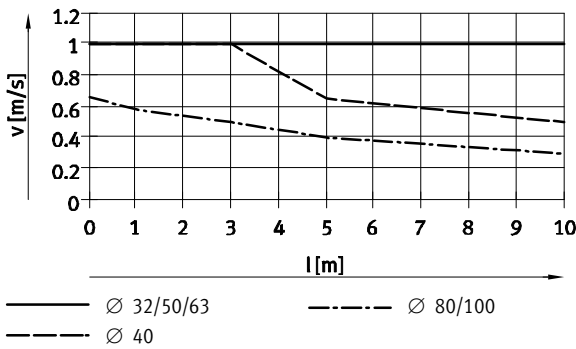


The bellows kit is a leak-free system. To prevent unwanted media from being drawn in, the supply and exhaust air must be ducted via a pressure compensation hole in the connection part **1**.

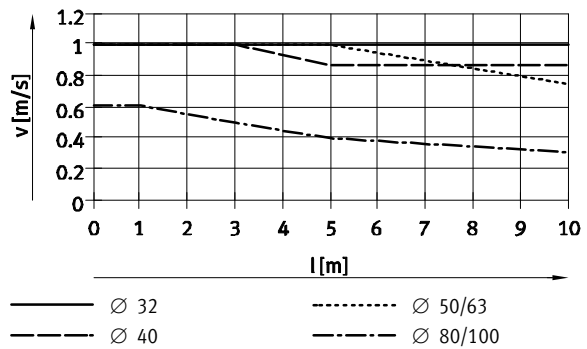
The pressure generated in the protective bellows kit by the positioning motion is primarily defined by the travel speed and tubing length. The recom-

mended tubing length based on the travel speed of the drive can be read from the graph.

### Advance



### Return



Note  
The push-in fittings opposite must be used for the pressure compensation hole. Silencers can be used as an alternative. This reduces the travel speed slightly.

Tubing length and push-in fitting for pressure compensation hole			
Ø [mm]	Tubing O.D. [mm]	Push-in fitting	
		Part No.	Type
32, 40	8	186109	QS-G <sup>1</sup> / <sub>8</sub> -8-I
		578376	NPQH-DK-G18-Q8-P10
		578362	NPQH-D-G18-S8-P10
50, 63, 80, 100	12	186350	QS-G <sup>1</sup> / <sub>4</sub> -12
		578344	NPQH-D-G14-Q12-P10
		578366	NPQH-D-G14-S12-P10

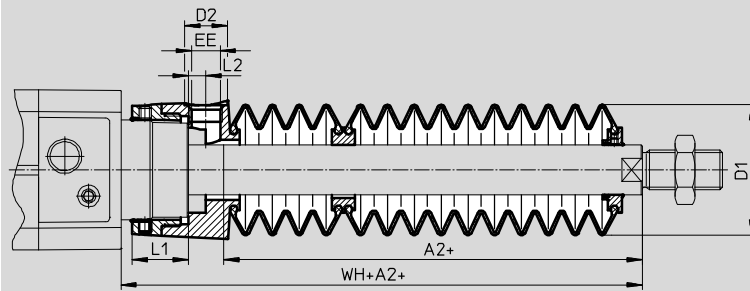
# Standard cylinders DSBF-C, to ISO 15552, Clean Design

Accessories

FESTO

## Dimensions

Download CAD data → [www.festo.com](http://www.festo.com)



+ = plus stroke length

Ø Stroke [mm]	32							40						
	A2 <sup>1)</sup>	D1 max.	D2	EE	L1	L2	WH+A2	A2 <sup>1)</sup>	D1 max.	D2	EE	L1	L2	WH+A2
10 ... 50	29	38	14	G1/8	12.9	5.4	55	28	46	14	G1/8	16.3	5.4	56.7
51 ... 125	47						73	43						71.7
126 ... 175	61						87	56						84.7
176 ... 250	80						106	72						100.7
251 ... 300	96						122	86						114.7
301 ... 350	112						138	100						128.7
351 ... 375	114						140	101						129.7
376 ... 425	130						156	115						143.7
426 ... 475	145						171	130						158.7
476 ... 500	147						173	131						159.7

Ø Stroke [mm]	50							63						
	A2 <sup>1)</sup>	D1 max.	D2	EE	L1	L2	WH+A2	A2 <sup>1)</sup>	D1 max.	D2	EE	L1	L2	WH+A2
10 ... 50	28	57	17	G1/4	22.35	7	63.6	28	57	17	G1/4	22.4	7	63.9
51 ... 125	46						81.6	46						81.9
126 ... 175	56						91.6	56						91.9
176 ... 250	73						108.6	73						108.9
251 ... 300	86						121.6	86						121.9
301 ... 350	97						132.6	97						132.9
351 ... 375	105						140.6	105						140.9
376 ... 425	116						151.6	116						151.9
426 ... 475	126						161.6	126						161.9
476 ... 500	134						169.6	134						169.9

Ø Stroke [mm]	80							100						
	A2 <sup>1)</sup>	D1 max.	D2	EE	L1	L2	WH+A2	A2 <sup>1)</sup>	D1 max.	D2	EE	L1	L2	WH+A2
10 ... 50	25	93	17	G1/4	28	4	70.4	25	93	17	G1/4	28	4	74.3
51 ... 125	37						82.4	37						86.3
126 ... 175	49						94.4	49						98.3
176 ... 250	62						107.4	62						111.3
251 ... 300	74						119.4	74						123.3
301 ... 350	86						131.4	86						135.3
351 ... 375	87						132.4	87						136.3
376 ... 425	98						143.4	98						147.3
426 ... 475	110						155.4	110						159.3
476 ... 500	111						156.4	111						160.3

1) The dimension corresponds to the E value (extended piston rod) of the drive

# Standard cylinders DSBF-C, to ISO 15552, Clean Design

Accessories

## Ordering data – Protective bellows kit

An extended piston rod (order code ...E) → 21 is absolutely essential if a protective bellows kit is to be used.

The following table specifies the required dimension for E as a function of piston diameter and stroke of the cylinder as well as the associated bellows kit:

### Order example:

Selected standard cylinder:

DSBF-C-32-320-PPV-A-N3-...E-R

The dimension for the corresponding E value (see table):

112 mm

Complete type code for standard cylinder:

DSBF-C-32-320-PPV-A-N3-112E-R

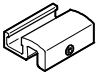
The corresponding protective bellows kit:

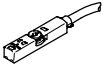
DADB-V6-32-S301-350

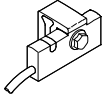
Cylinder data			Protective bellows kit		Cylinder data			Protective bellows kit	
∅	Stroke	Dimension for E	Part No.	Type	∅	Stroke	Dimension for E	Part No.	Type
[mm]	[mm]	[mm]			[mm]	[mm]	[mm]		
32	10 ... 50	29	553271	DADB-V6-32-S10-50	40	10 ... 50	28	553291	DADB-V6-40-S10-50
	51 ... 125	47	553273	DADB-V6-32-S51-125		51 ... 125	43	553293	DADB-V6-40-S51-125
	126 ... 175	61	553275	DADB-V6-32-S126-175		126 ... 175	56	553295	DADB-V6-40-S126-175
	176 ... 250	80	553277	DADB-V6-32-S176-250		176 ... 250	72	553297	DADB-V6-40-S176-250
	251 ... 300	96	553279	DADB-V6-32-S251-300		251 ... 300	86	553299	DADB-V6-40-S251-300
	301 ... 350	112	553281	DADB-V6-32-S301-350		301 ... 350	100	553301	DADB-V6-40-S301-350
	351 ... 375	114	553283	DADB-V6-32-S351-375		351 ... 375	101	553303	DADB-V6-40-S351-375
	376 ... 425	130	553285	DADB-V6-32-S376-425		376 ... 425	115	553305	DADB-V6-40-S376-425
	426 ... 475	145	553287	DADB-V6-32-S426-475		426 ... 475	130	553307	DADB-V6-40-S426-475
	476 ... 500	147	553289	DADB-V6-32-S476-500		476 ... 500	131	553309	DADB-V6-40-S476-500
50	10 ... 50	28	553311	DADB-V6-50-S10-50	63	10 ... 50	28	553331	DADB-V6-63-S10-50
	51 ... 125	46	553313	DADB-V6-50-S51-125		51 ... 125	46	553333	DADB-V6-63-S51-125
	126 ... 175	56	553315	DADB-V6-50-S126-175		126 ... 175	56	553335	DADB-V6-63-S126-175
	176 ... 250	73	553317	DADB-V6-50-S176-250		176 ... 250	73	553337	DADB-V6-63-S176-250
	251 ... 300	86	553319	DADB-V6-50-S251-300		251 ... 300	86	553339	DADB-V6-63-S251-300
	301 ... 350	97	553321	DADB-V6-50-S301-350		301 ... 350	97	553341	DADB-V6-63-S301-350
	351 ... 375	105	553323	DADB-V6-50-S351-375		351 ... 375	105	553343	DADB-V6-63-S351-375
	376 ... 425	116	553325	DADB-V6-50-S376-425		376 ... 425	116	553345	DADB-V6-63-S376-425
	426 ... 475	126	553327	DADB-V6-50-S426-475		426 ... 475	126	553347	DADB-V6-63-S426-475
	476 ... 500	134	553329	DADB-V6-50-S476-500		476 ... 500	134	553349	DADB-V6-63-S476-500
80	10 ... 50	25	553351	DADB-V6-80-S10-50	100	10 ... 50	25	553371	DADB-V6-100-S10-50
	51 ... 125	37	553353	DADB-V6-80-S51-125		51 ... 125	37	553373	DADB-V6-100-S51-125
	126 ... 175	49	553355	DADB-V6-80-S126-175		126 ... 175	49	553375	DADB-V6-100-S126-175
	176 ... 250	62	553357	DADB-V6-80-S176-250		176 ... 250	62	553377	DADB-V6-100-S176-250
	251 ... 300	74	553359	DADB-V6-80-S251-300		251 ... 300	74	553379	DADB-V6-100-S251-300
	301 ... 350	86	553361	DADB-V6-80-S301-350		301 ... 350	86	553381	DADB-V6-100-S301-350
	351 ... 375	87	553363	DADB-V6-80-S351-375		351 ... 375	87	553383	DADB-V6-100-S351-375
	376 ... 425	98	553365	DADB-V6-80-S376-425		376 ... 425	98	553385	DADB-V6-100-S376-425
	426 ... 475	110	553367	DADB-V6-80-S426-475		426 ... 475	110	553387	DADB-V6-100-S426-475
	476 ... 500	111	553369	DADB-V6-80-S476-500		476 ... 500	111	553389	DADB-V6-100-S476-500



# Standard cylinders DSBF-C, to ISO 15552, Clean Design

Accessories

Ordering data – Mounting kit		Part No.	Type
	Description For mounting the proximity sensor CRSMT-8M on the mounting rail	<b>1806790</b>	<b>SMB-8-C</b>

Ordering data – Proximity sensor for T-slot, magneto-resistive					Technical data → Internet: smt	
Type of mounting	Switching output	Electrical connection	Cable length [m]	Part No.	Type	
N/O contact						
	Insertable in the slot from above, flush with the mounting kit	PNP	Cable, 3-wire	5.0	<b>574380</b>	<b>CRSMT-8M-PS-24V-K-5,0-OE</b>
			Cable, 3-wire	10.0	<b>574381</b>	<b>CRSMT-8M-PS-24V-K-10,0-OE</b>
			Plug M8x1, 3-pin	0.3	<b>574383</b>	<b>CRSMT-8M-PS-24V-K-0,3-M8D</b>
			Plug M12x1, 3-pin	0.3	<b>574382</b>	<b>CRSMT-8M-PS-24V-K-0,3-M12</b>







Ordering data – Proximity sensor for T-slot, magneto-resistive					Technical data → Internet: smt	
Type of mounting	Switching output	Electrical connection	Cable length [m]	Part No.	Type	
N/O contact						
	Is mounted on the mounting rail	PNP	Cable, 3-wire	5.0	<b>571339</b>	<b>SMT-C1-PS-24V-K-5,0-OE</b>
			Plug M8x1, 3-pin	0.3	<b>571342</b>	<b>SMT-C1-PS-24V-K-0,3-M8D</b>
			Plug M12x1, 3-pin	0.3	<b>571341</b>	<b>SMT-C1-PS-24V-K-0,3-M12</b>

Ordering data – Connecting cables				Technical data → Internet: nebu	
Electrical connection, left	Electrical connection, right	Cable length [m]	Part No.	Type	
	Straight socket, M8x1, 3-pin	Cable, open end, 3-wire	2.5	<b>541333</b>	<b>NEBU-M8G3-K-2.5-LE3</b>
		Cable, open end, 3-wire	5	<b>541334</b>	<b>NEBU-M8G3-K-5-LE3</b>
	Straight socket, M12x1, 5-pin	Cable, open end, 3-wire	2.5	<b>541363</b>	<b>NEBU-M12G5-K-2.5-LE3</b>
		Cable, open end, 3-wire	5	<b>541364</b>	<b>NEBU-M12G5-K-5-LE3</b>
	Angled socket, M8x1, 3-pin	Cable, open end, 3-wire	2.5	<b>541338</b>	<b>NEBU-M8W3-K-2.5-LE3</b>
		Cable, open end, 3-wire	5	<b>541341</b>	<b>NEBU-M8W3-K-5-LE3</b>
	Angled socket, M12x1, 5-pin	Cable, open end, 3-wire	2.5	<b>541367</b>	<b>NEBU-M12W5-K-2.5-LE3</b>
		Cable, open end, 3-wire	5	<b>541370</b>	<b>NEBU-M12W5-K-5-LE3</b>

# Standard cylinders DSBF-C, to ISO 15552, Clean Design

FESTO

Accessories


Ordering data – Push-in fittings					Technical data → Internet: qs					
	Connection		Material	Weight [g]	Part No.	Type	PU <sup>1)</sup>			
	Thread	Tubing O.D.								
<b>With external hexagon</b>										
	G1/8	6	High-alloy stainless steel	14.1	1366257	NPCK-C-D-G18-K6	1			
		8		13.4	1490383	NPCK-C-D-G18-K8				
	G1/4	8		28.85	1691701	NPCK-C-D-G14-K8				
		10		32.9	1489336	NPCK-C-D-G14-K10				
	G3/8	10		51.15	1489614	NPCK-C-D-G38-K10				
	G1/8	4	Brass, nickel-plated, with sealing ring	6.3	578338	NPQH-D-G18-Q4-P10	10			
		6		9.2	578339	NPQH-D-G18-Q6-P10				
		8		11.9	578340	NPQH-D-G18-Q8-P10				
	G1/4	6		13.1	578341	NPQH-D-G14-Q6-P10				
		8		14.1	578342	NPQH-D-G14-Q8-P10				
		10		17.5	578343	NPQH-D-G14-Q10-P10				
	G3/8	8		20.6	578345	NPQH-D-G38-Q8-P10				
		10		22.7	578346	NPQH-D-G38-Q10-P10				
	G1/2	10		35.4	578349	NPQH-D-G12-Q10		1		
		12		37.1	578350	NPQH-D-G12-Q12				
		R1/8		6	Stainless steel, with PTFE coating	9.9		162862	CRQS-1/8-6	1
				8		12		162863	CRQS-1/8-8	
R1/4		8	18	162864		CRQS-1/4-8				
		10	22	162865		CRQS-1/4-10				
R3/8		10	29	162866		CRQS-3/8-10				
		12	37	162867		CRQS-3/8-12				
R1/2		12	55	162868		CRQS-1/2-12				
		16	59	162869		CRQS-1/2-16				
<b>With internal hexagon</b>										
		G1/8	4	Brass, nickel-plated, with sealing ring		6.2	578374	NPQH-DK-G18-Q4-P10	10	
	6		9.1		578375	NPQH-DK-G18-Q6-P10				
	8		12.8		578376	NPQH-DK-G18-Q8-P10				
	G1/4	8	14.4		578377	NPQH-DK-G14-Q8-P10				
		10	18.6		578378	NPQH-DK-G14-Q10-P10				
	G3/8	12	28.2		578379	NPQH-DK-G38-Q12-P10				
<b>With external hexagon</b>										
	G1/8	4	Brass, nickel-plated, with sealing ring	16.3	578280	NPQH-L-G18-Q4-P10	10			
		6		19.3	578281	NPQH-L-G18-Q6-P10				
		8		22.2	578282	NPQH-L-G18-Q8-P10				
	G1/4	6		22.4	578283	NPQH-L-G14-Q6-P10				
		8		25.8	578284	NPQH-L-G14-Q8-P10				
	G1/4	10		33.1	578285	NPQH-L-G14-Q10-P10				
		G3/8		8	36.7	578287		NPQH-L-G38-Q8-P10		
	G3/8	10		38.2	578288	NPQH-L-G38-Q10-P10				
		G1/2		10	42.6	578291		NPQH-L-G12-Q10	1	
	12			66.3	578292	NPQH-L-G12-Q12				
	R1/8	6	Stainless steel, with PTFE coating	19	162872	CRQSL-1/8-6	1			
		8		26	162873	CRQSL-1/8-8				
	R1/4	8		30	162874	CRQSL-1/4-8				
		10		42	162875	CRQSL-1/4-10				
	R3/8	10		49	162876	CRQSL-3/8-10				
		12		65	162877	CRQSL-3/8-12				
	R1/2	12		85	162878	CRQSL-1/2-12				
		16		99	162879	CRQSL-1/2-16				


1) Packaging unit quantity




# Standard cylinders DSBF-C, to ISO 15552, Clean Design

Accessories

Ordering data – Plastic tubing, standard O.D.		Technical data → Internet: tubing
		Type
	Good resistance to chemicals and hydrolysis	<b>PLN</b>
	Pneumatic tubing with resistance to high temperatures and chemicals	<b>PFAN</b>
	Approved for use in the food industry and resistant to hydrolysis	<b>PUN-H</b>

Ordering data – One-way flow control valves				Technical data → Internet: crgla		
	Connection		Material	Weight [g]	Part No.	Type
	Thread	For push-in fitting				
	G1/8	CRQS/CRQSL/CRQST, QS	Electrolytically polished stainless steel casting	37.8	<b>161404</b>	<b>CRGRLA-1/8-B</b>
	G1/4			71.6	<b>161405</b>	<b>CRGRLA-1/4-B</b>
	G3/8			126.9	<b>161406</b>	<b>CRGRLA-3/8-B</b>
	G1/2			262.3	<b>161407</b>	<b>CRGRLA-1/2-B</b>

Ordering data – Blanking screws, corrosion-resistant							
	For Ø	Material	CRC <sup>1)</sup>	Weight [g]	Part No.	Type <sup>3)</sup>	PU <sup>2)</sup>
	32, 40	High-alloy steel	3	6.5	<b>1355016</b>	<b>DAMD-PS-M6-12-R1</b>	4
	50, 63		3	14	<b>650121</b>	<b>DAMD-PS-M8-16-R1</b>	
	80, 100		3	23	<b>1355026</b>	<b>DAMD-PS-M10-16-R1</b>	

- 1) Corrosion resistance class CRC 3 to Festo standard FN 940070  
High corrosion stress. Outdoor exposure under moderate corrosive conditions. External visible parts with primarily functional requirements for the surface and which are in direct contact with a normal industrial environment.
- 2) Packaging unit
- 3) ATEX-compliant

# Festo - Your Partner in Automation



**1 Festo Inc.**  
5300 Explorer Drive  
Mississauga, ON L4W 5G4  
Canada

**Festo Customer Interaction Center**  
Tel: 1 877 463 3786  
Fax: 1 877 393 3786  
Email: [customer.service.ca@festo.com](mailto:customer.service.ca@festo.com)



**2 Festo Pneumatic**  
Av. Ceylán 3,  
Col. Tequesquináhuac  
54020 Tlalnepantla,  
Estado de México

**Multinational Contact Center**  
01 800 337 8669  
[ventas.mexico@festo.com](mailto:ventas.mexico@festo.com)



**3 Festo Corporation**  
1377 Motor Parkway  
Suite 310  
Islandia, NY 11749

**Festo Customer Interaction Center**  
1 800 993 3786  
1 800 963 3786  
[customer.service.us@festo.com](mailto:customer.service.us@festo.com)



**4 Regional Service Center**  
7777 Columbia Road  
Mason, OH 45040

Connect with us



[www.festo.com/socialmedia](http://www.festo.com/socialmedia)



[www.festo.com](http://www.festo.com)

Subject to change